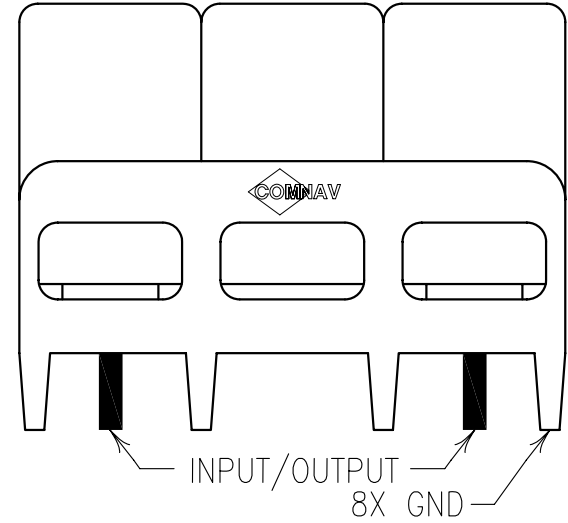
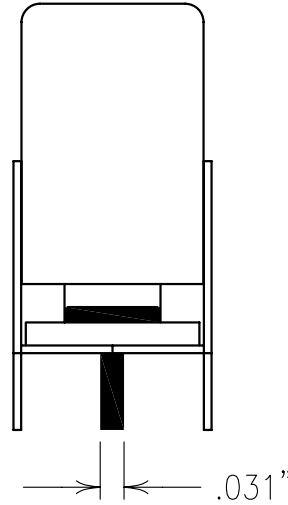
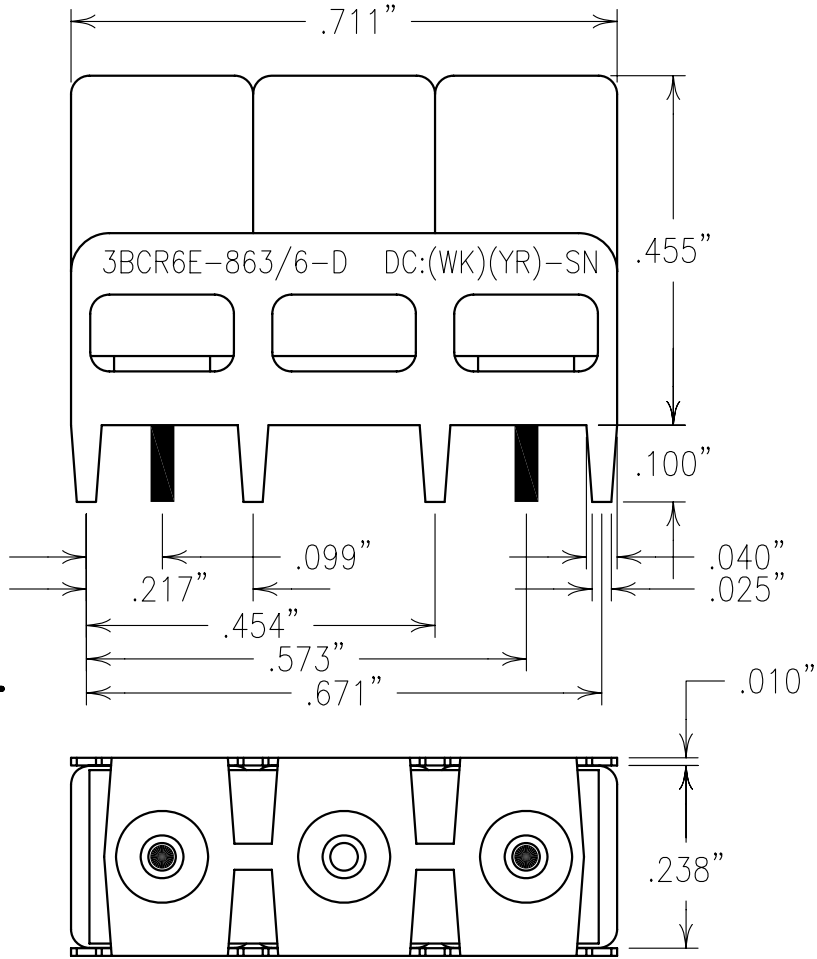


2

1



COPY

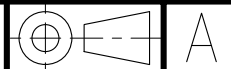
ELECTRICAL CHARACTERISTICS

CENTER FREQUENCY: 863, 903 MHz
 3 dB BANDWIDTH: 6 MHz MIN
 40 dB BANDWIDTH: 40 MHz MAX
 LOSS AT FO: <5.5 dB
 VSWR: 1.7:1 TYP

NOTES:

MAX REFLOW TEMP. 240°C FOR 30 SEC.,
 OR 260°C FOR 15 SEC.

Confidential and Proprietary information of ComNav Engineering Inc. Do Not Duplicate or Use Without Permission. ComNav Engineering Inc. claims Copyright in this document as of the Creation, last revision, and last updated dates. All Rights Reserved.



ENGLISH / METRIC ENGLISH	CHECKED BY				
TOLERANCES UNLESS OTHERWISE SPECIFIED	DRAWN BY				
MACHINED SURFACES TO BE 125 OR BETTER	ENGINEER	II	02APR03	MJG	DEV.
REMOVE ALL BURRS	ENGINEER	REV	DATE	BY	DCN No.
					REMARKS

ENGLISH (INCHES)	METRIC (MM)	SCALE	APPLIC:
.XX ±.02	.X ±.25	4:1	CERAMIC COAXIAL FILTER
.XXX ±.010	.XX ±.13	DATE	TITLE:
ANGLES ± 0° 30'		04APR03	3BCR6E-FO(*)/6-D

	FINISH: JACKET: NI/SILVER RESONATOR: SILVER PINS: TIN PLATED BRASS	DRAWING No. OL0463	SHEET OF 1 1
--	--	-----------------------	-----------------