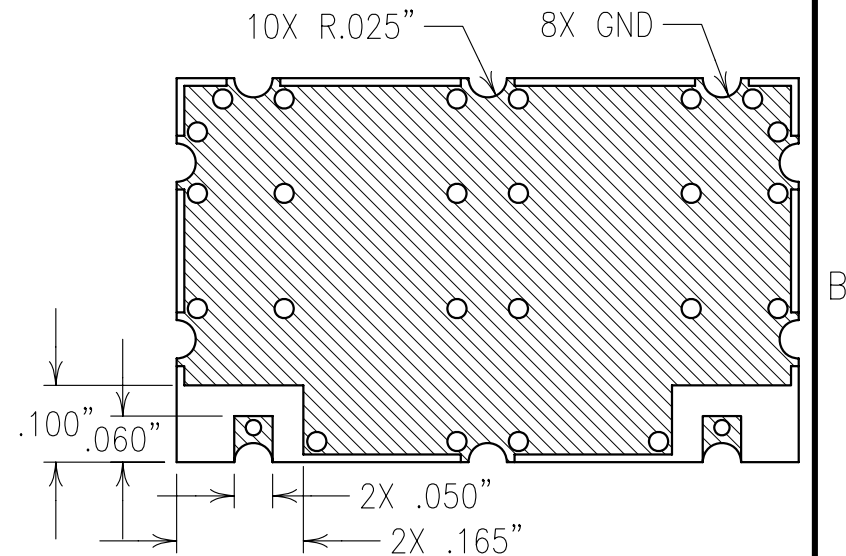
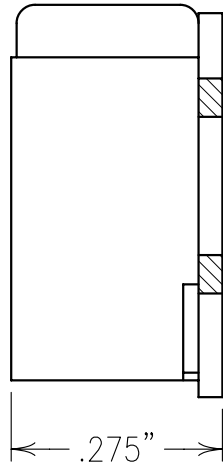
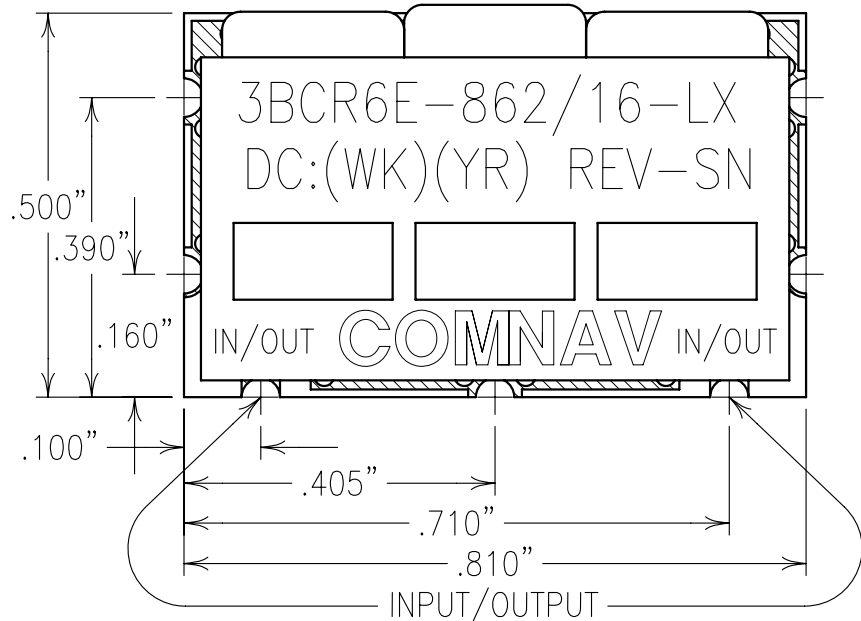


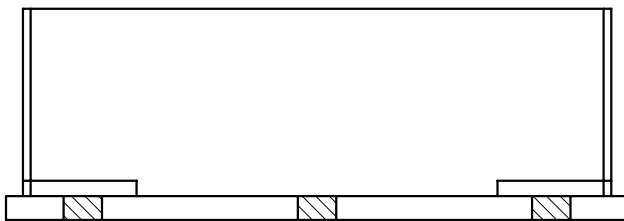
2

1



COPY

ELECTRICAL CHARACTERISTICS	
CENTER FREQUENCY:	862 MHz
3 dB BANDWIDTH:	16 MHz NOM.
1 dB BANDWIDTH:	10 MHz MIN.
LOSS @ FO:	<2.5 dB
VSWR:	1.7:1 TYP.
DELAY VAR.:	<12 NSEC ACROSS 1 dB
REJECTION	
70 dBc:	DC-720 MHz
70 dBc:	1440-2000 MHz
OPERATING TEMP.:	-45 TO +85 °C



NOTES:

RECOMMENDED ATTACHMENT METHOD: SILVER EPOXY
OR REFLOW NOT TO EXCEED AS INDICATED BELOW:

TEMP.(°C)	MAX.TIME(SEC)
215	90
230	60
245	30
260	15

Confidential and Proprietary information of ComNav Engineering Inc. Do Not Duplicate or Use Without Permission. ComNav Engineering Inc. claims Copyright in this document as of the Creation, last revision, and last updated dates. All Rights Reserved.

ENGLISH / METRIC ENGLISH	CHECKED BY					
TOLERANCES UNLESS OTHERWISE SPECIFIED	DRAWN BY	A	30APR03	JSW	DEV.	GEN. REV. PER 2077
MACHINED SURFACES TO BE 125/ OR BETTER	ENGINEER	II	14FEB03	MJG	DEV.	INI. ISS. PER 2026
REMOVE ALL BURRS	ENGINEER	REV	DATE	BY	DCN No.	REMARKS
ENGLISH (INCHES)	METRIC (MM)	SCALE	APPLIC: CERAMIC COAXIAL FILTER			
.XX ±.01	.X ±.25	4:1	TITLE: 3BCR6E-862/16-LX			
.XXX ±.020	.XX ±.13	DATE	05MAY03			
ANGLES ± 0° 30'						
	FINISH: BOARD: NI/AU PLATED COPPER JACKET: NI/SILVER RESONATOR: SILVER	DRAWING No.	0L0460			
		SHEET OF	1 1			