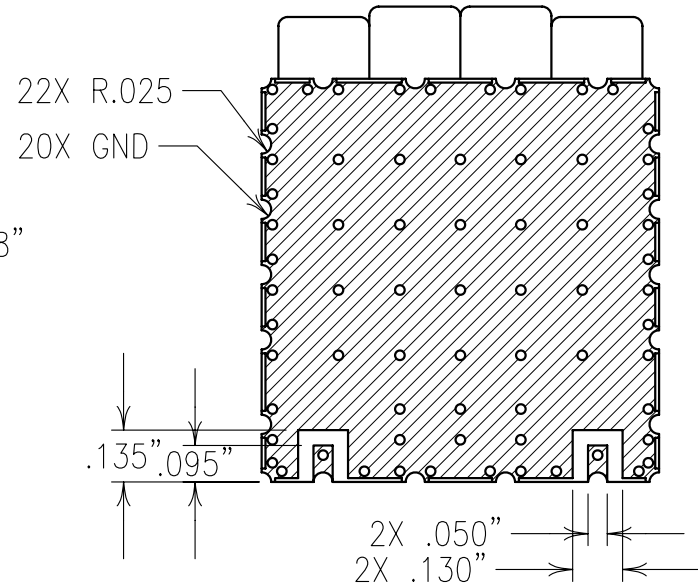
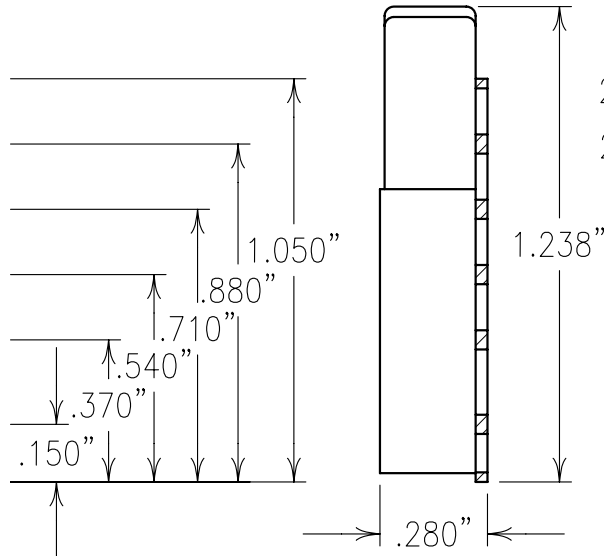
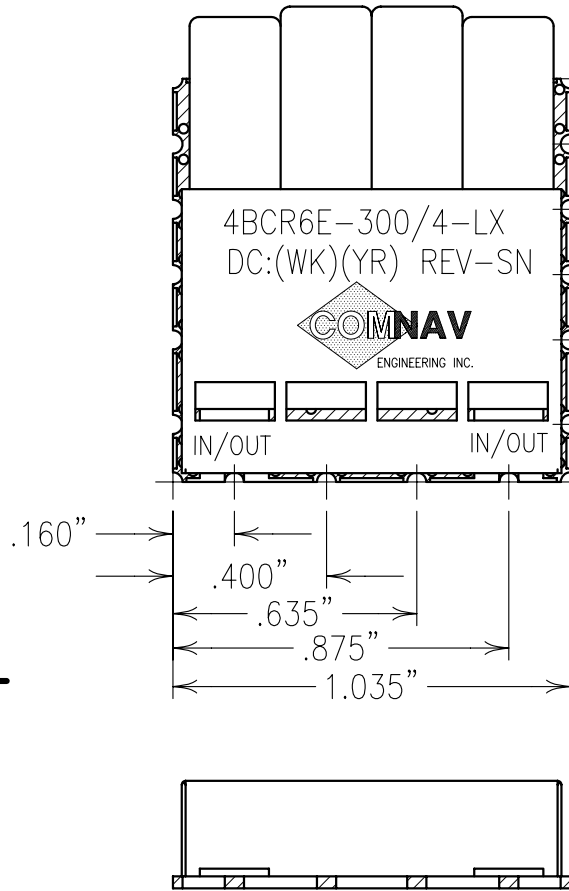


2

1



**COPY**

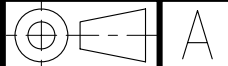
ELECTRICAL CHARACTERISTICS	
CENTER FREQUENCY:	300 MHz
3dB BANDWIDTH:	4 MHz NOM.
LOSS @ F0:	<8.0 dB
PASSBAND VSWR	1.7:1 TYP.
REJECTION	
65 dBc:	DC-282.5 MHz
45 dBc:	290, 310 MHz
OPERATING TEMP.:	-45 TO +85 °C

NOTES:

RECOMMENDED ATTACHMENT METHOD: SILVER EPOXY  
OR REFLOW NOT TO EXCEED AS INDICATED BELOW:

TEMP.(°C)	MAX.TIME(SEC)
215	90
230	60
245	30
260	15

Confidential and Proprietary information of ComNav Engineering Inc. Do Not Duplicate or Use Without Permission. ComNav Engineering Inc. claims Copyright in this document as of the Creation, last revision, and last updated dates. All Rights Reserved.



ENGLISH / METRIC ENGLISH	CHECKED BY				
TOLERANCES UNLESS OTHERWISE SPECIFIED	DRAWN BY				
MACHINED SURFACES TO BE 125 OR BETTER REMOVE ALL BURRS	ENGINEER	II	19FEB03	MJG	DEV.
	ENGINEER	REV	DATE	BY	DCN No.
	MJG				REMARKS
ENGLISH (INCHES)	METRIC (MM)	SCALE	APPLIC: CERAMIC COAXIAL FILTER		
.XX ±.01	.X ±.25	2:1	TITLE: 4BCR6E-300/4-LX		
.XXX ±.020	.XX ±.13	DATE			
ANGLES ± 0° 30'		10MAR03			
	FINISH: BOARD: NI/AU PLATED COPPER		DRAWING No.		SHEET OF 1 1
	JACKET: NI/SILVER		0L0456		
		RESONATOR: SILVER			