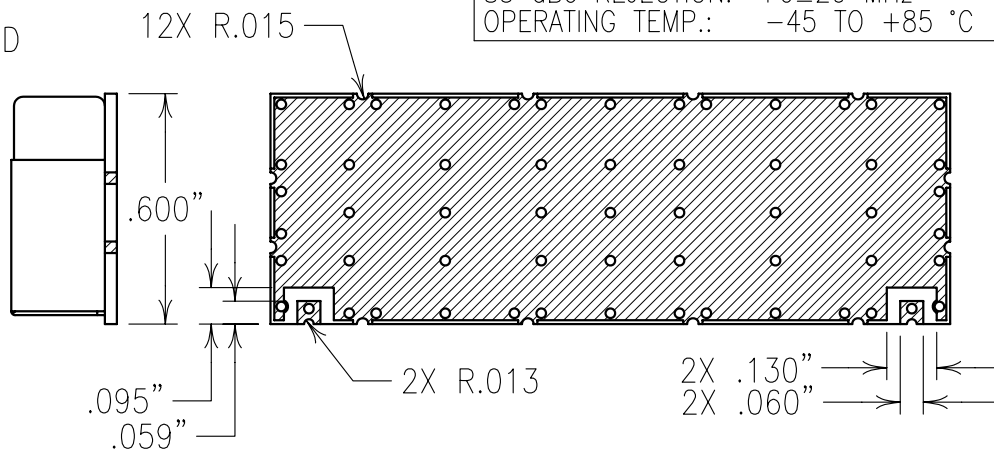
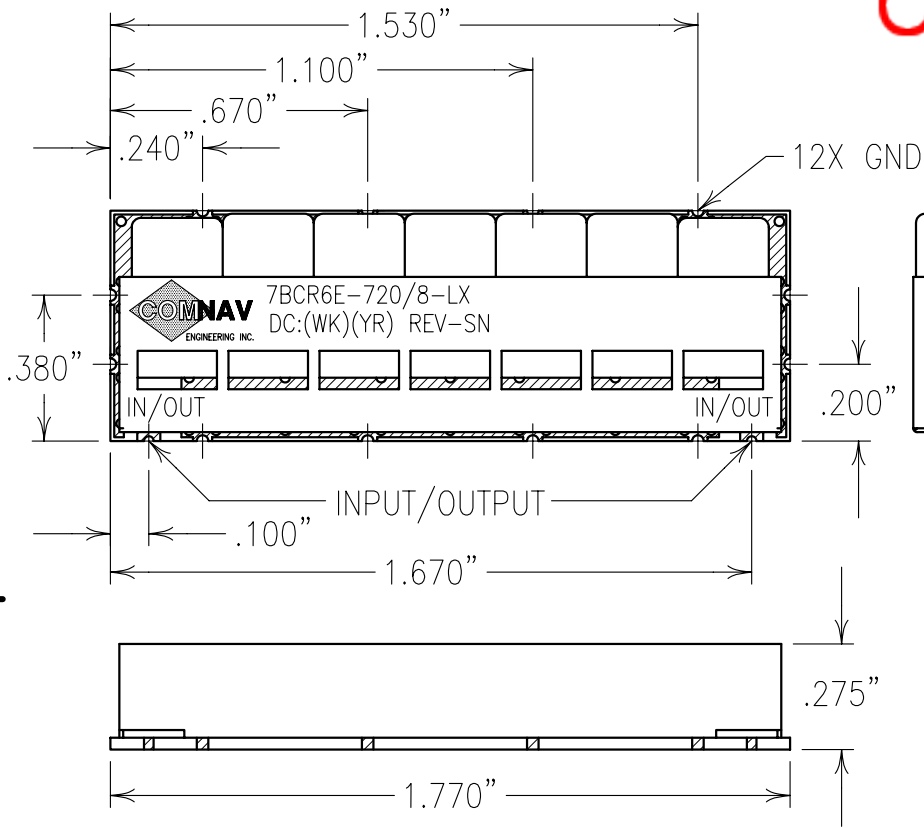


COPY

ELECTRICAL CHARACTERISTICS	
CENTER FREQUENCY:	720 MHz
3dB BANDWIDTH:	8 MHz NOM.
PASSBAND:	717.5-722.5 MHz
LOSS @ F0:	<7.75 dB
PASSBAND FLATNESS:	<1.2 dB
PASSBAND VSWR	1.7:1
85 dBc REJECTION:	Fo±20 MHz
OPERATING TEMP.:	-45 TO +85 °C



NOTES:  
 RECOMMENDED ATTACHMENT METHOD: SILVER EPOXY  
 OR REFLOW NOT TO EXCEED AS INDICATED BELOW:  
 TEMP.(°C) MAX.TIME(SEC)

215	90
230	60
245	30
260	15

FILTER IS ROHS COMPLIANT  
 FILTER MAY BE LABELED OR ETCHED

Confidential and Proprietary information of ComNav Engineering Inc. Do Not Duplicate or Use Without Permission. ComNav Engineering Inc. claims Copyright in this document as of the Creation, last revision, and last updated dates. All Rights Reserved.						A	
ENGLISH / METRIC ENGLISH	CHECKED BY	B	24MAR06	PBF	DEV.	GEN. REV. PER 2510	
TOLERANCES UNLESS OTHERWISE SPECIFIED	DRAWN BY	A	25MAR03	TLW	DEV.	GEN. REV. PER 2053	
MACHINED SURFACES TO BE 125 / OR BETTER	ENGINEER	II	14FEB03	MJG	DEV.	INI. ISS. PER 2022	
REMOVE ALL BURRS	KJR	REV	DATE	BY	DCN No.	REMARKS	
ENGLISH (INCHES)	METRIC (MM)	SCALE	APPLIC: CERAMIC COAXIAL FILTER				
.XX ±.01	.X ±.25	2:1	TITLE: 7BCR6E-720/8-LX				
.XXX ±.020	.XX ±.13	DATE	07APR06				
ANGLES ± 0° 30'	FINISH: BOARD: NI/AU PLATED COPPER JACKET: NI/SILVER RESONATOR: SILVER		DRAWING No.		SHEET OF 1 1		
COMNAV ENGINEERING INC.		0L0455					