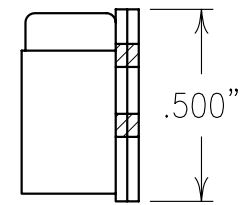
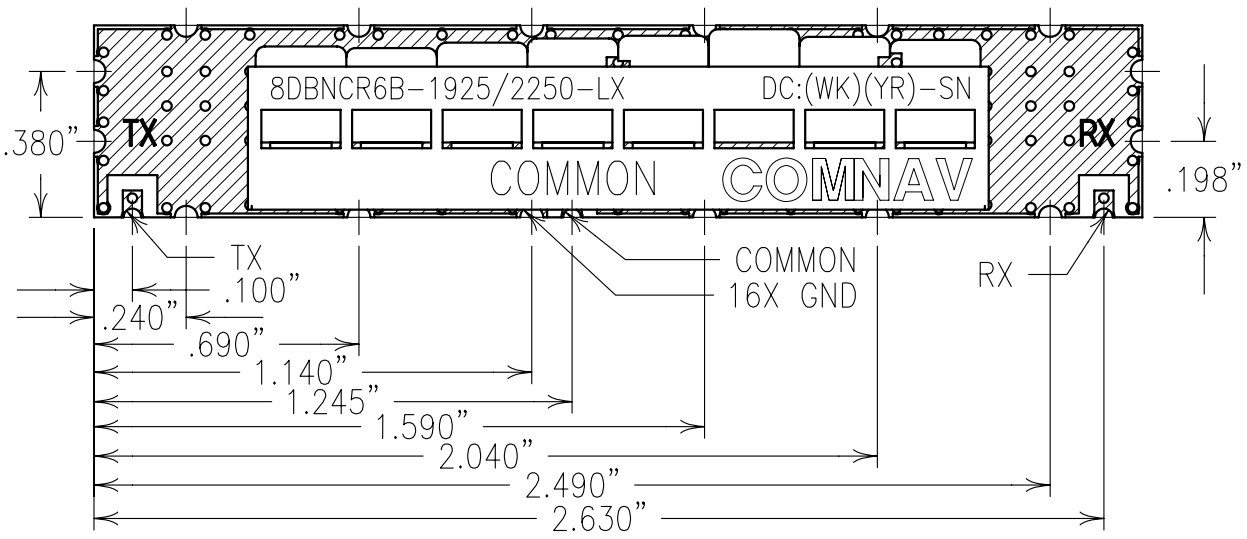
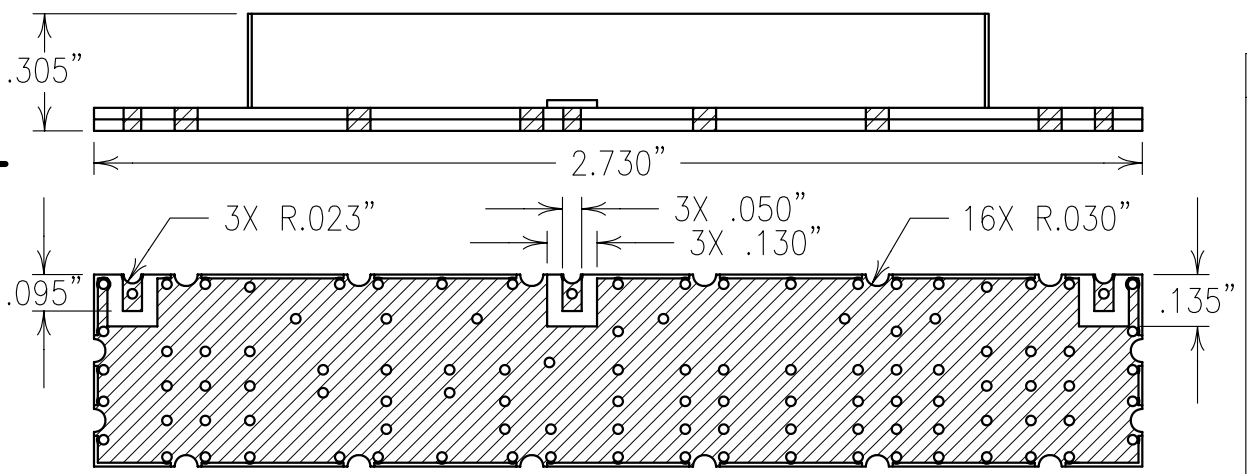


2

1



COPY



ELECTRICAL CHARACTERISTICS		
	TX	RX
CENTER FREQ.(MHz):	1925	2250
PASSBAND(MHz):	1750-2100	2200-2300
PASSBAND LOSS:	<1.0 dB	<1.1 dB
PASSBAND FLATNESS:	<0.5 dB	<0.5 dB
PASSBAND VSWR:	1.5:1	1.5:1
REJECTION:		
25 dBc(MHz):	2200-2300	
55 dBc(MHz):		1750-2100

Confidential and Proprietary information of ComNav Engineering Inc. Do Not Duplicate or Use Without Permission. ComNav Engineering Inc. claims Copyright in this document as of the Creation, last revision, and last updated dates. All Rights Reserved.

NOTES:

RECOMMENDED ATTACHMENT METHOD:	TEMP.(°C)	MAX.TIME(SEC)
SILVER EPOXY OR REFLOW NOT TO EXCEED AS INDICATED:	215	90
	230	60
	245	30
	260	15

ENGLISH / METRIC ENGLISH	CHECKED BY				
TOLERANCES UNLESS OTHERWISE SPECIFIED	DRAWN BY				
MACHINED SURFACES TO BE 125 OR BETTER	ENGINEER	II	26FEB03	MJG	DEV.
REMOVE ALL BURRS	ENGINEER	REV	DATE	BY	DCN No.
ENGLISH (INCHES)	SCALE	APPLIC: COAXIAL FILTER			
METRIC (MM)	DATE	TITLE: 8DBNCR6B-1925/2250-LX			
XX ±.02 XXX ±.010	27FEB03	FINISH: BOARD: NI/AU PLATED COPPER JACKET: NI/SILVER		DRAWING No. OL0454	
ANGLES ± 0° 30'				SHEET OF 1 1	

