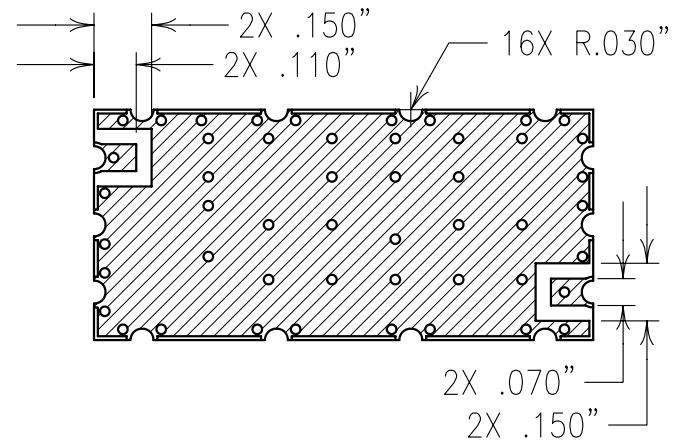
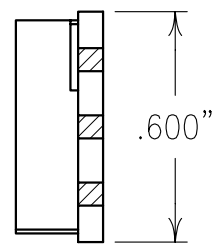
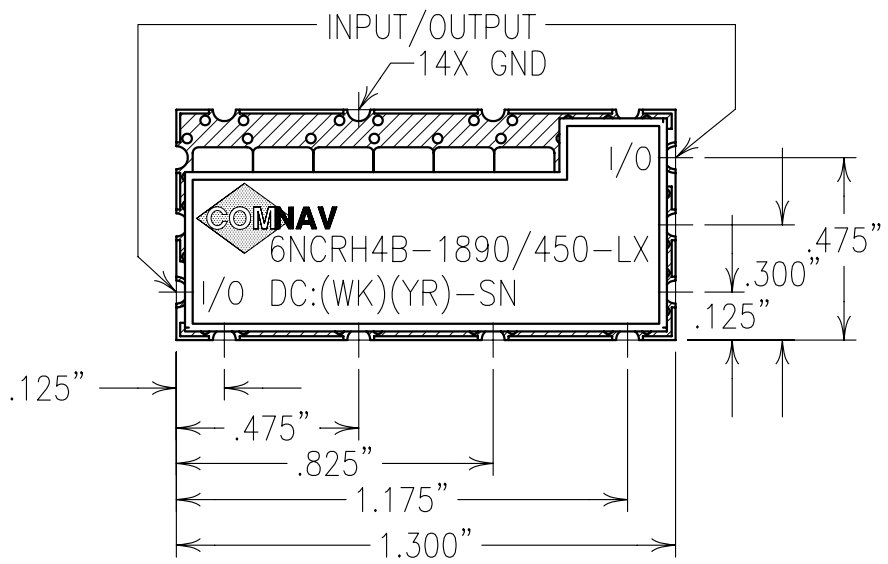
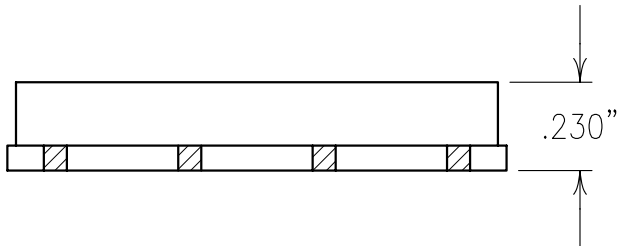


2

1



COPY



ELECTRICAL CHARACTERISTICS	
CENTER FREQUENCY:	1890 MHz
3dB BANDWIDTH:	450 MHz NOM
PASSBAND:	1760-2020 MHz
PASSBAND FLATNESS:	<0.2 dB/40 MHz
PASSBAND LOSS:	<1.5 dB
PASSBAND VSWR:	<1.5:1
PASSBAND DELAY VAR.:	
LINEAR:	<0.5 NSEC
PARABOLIC:	<1.2 NSEC
REJECTION:	
>70 dBc:	1400 MHz
>75 dBc:	2350-2700 MHz
OPERATING TEMP.:	0° TO 60°C

Confidential and Proprietary information of ComNav Engineering Inc. Do Not Duplicate or Use Without Permission. ComNav Engineering Inc. claims Copyright in this document as of the Creation, last revision, and last updated dates. All Rights Reserved.

NOTES:

RECOMMENDED ATTACHMENT METHOD: SILVER EPOXY
OR REFLOW NOT TO EXCEED AS INDICATED BELOW:

TEMP.(°C)	MAX.TIME(SEC)
215	90
230	60
245	30
260	15

ENGLISH / METRIC ENGLISH	CHECKED BY						
TOLERANCES UNLESS OTHERWISE SPECIFIED	DRAWN BY						
MACHINED SURFACES TO BE 125 / OR BETTER	ENGINEER	II	07FEB03	MJG	DEV.		INI. ISS. PER 2015
REMOVE ALL BURRS	ENGINEER	MJG	REV	DATE	BY	DCN No.	REMARKS
ENGLISH (INCHES)	METRIC (MM)	SCALE	APPLIC: COAXIAL FILTER				
XX ±.02	.X ±.25	2:1	TITLE: 6NCRH4B-1890/450-LX				
XXX ±.010	.XX ±.13	DATE	DRAWING No. OL0453				
ANGLES ± 0° 30'	21FEB03	FINISH: BOARD: NI/AU PLATED COPPER		JACKET: NI/SILVER		RESONATOR: SILVER	
COMNAV ENGINEERING INC.		SHEET OF 1 1					