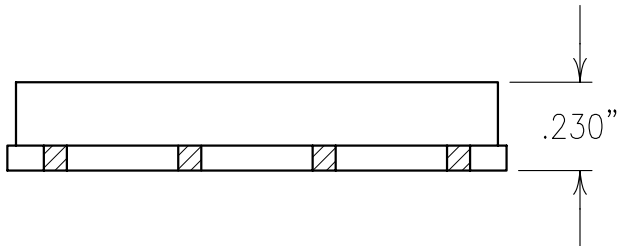
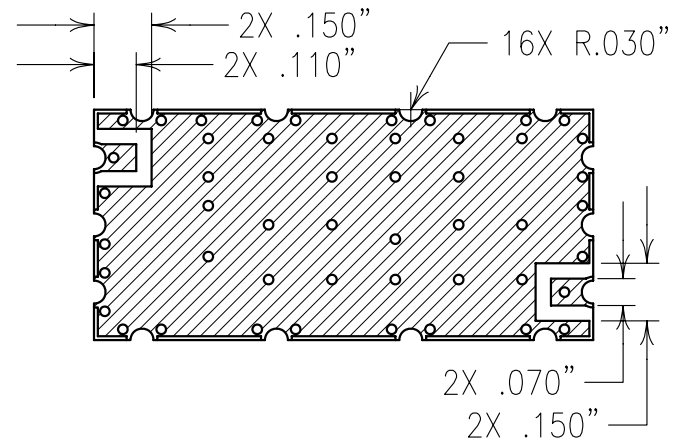
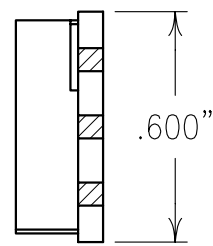
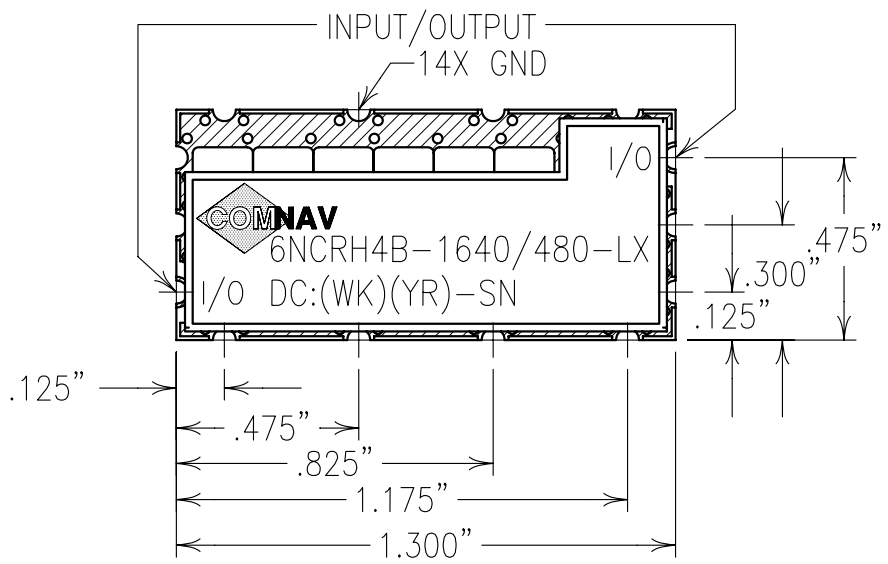


2

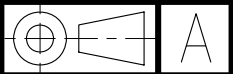
1



**COPY**

ELECTRICAL CHARACTERISTICS	
CENTER FREQUENCY:	1640 MHz
3dB BANDWIDTH:	480 MHz NOM
PASSBAND:	1480-1800 MHz
PASSBAND FLATNESS:	<0.2 dB/40 MHz
PASSBAND LOSS:	<1.5 dB
PASSBAND VSWR:	<1.5:1
PASSBAND DELAY VAR.:	
LINEAR:	<0.5 NSEC
PARABOLIC:	<1.2 NSEC
REJECTION:	
>70 dBc:	1150 MHz
>75 dBc:	2150-2500 MHz
OPERATING TEMP.:	0° TO 60°C

Confidential and Proprietary information of ComNav Engineering Inc. Do Not Duplicate or Use Without Permission. ComNav Engineering Inc. claims Copyright in this document as of the Creation, last revision, and last updated dates. All Rights Reserved.



NOTES:

RECOMMENDED ATTACHMENT METHOD: SILVER EPOXY  
OR REFLOW NOT TO EXCEED AS INDICATED BELOW:

TEMP.(°C)	MAX.TIME(SEC)
215	90
230	60
245	30
260	15

ENGLISH / METRIC	CHECKED BY				
ENGLISH					
TOLERANCES UNLESS OTHERWISE SPECIFIED	DRAWN BY				
MACHINED SURFACES TO BE 125 / OR BETTER	PFB	II	07FEB03	MJG	DEV. INI. ISS. PER 2015
REMOVE ALL BURRS	ENGINEER	REV	DATE	BY	DCN No. REMARKS
	MJG				
ENGLISH (INCHES)	SCALE	APPLIC: COAXIAL FILTER			
METRIC (MM)	2:1				
XX ±.02	DATE	TITLE: 6NCRH4B-1640/480-LX			
.X ±.25	21FEB03				
XXX ±.010					
ANGLES ± 0° 30'					
	FINISH:	BOARD: NI/AU PLATED COPPER		DRAWING No.	
		JACKET: NI/SILVER		1 1	
		RESONATOR: SILVER		SHEET OF	
				OL0452	