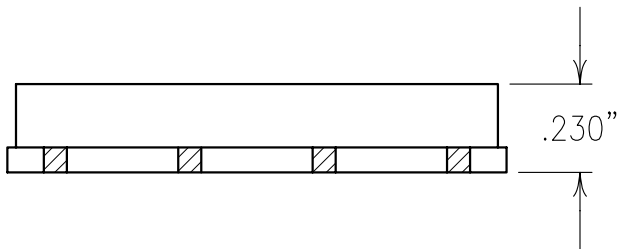
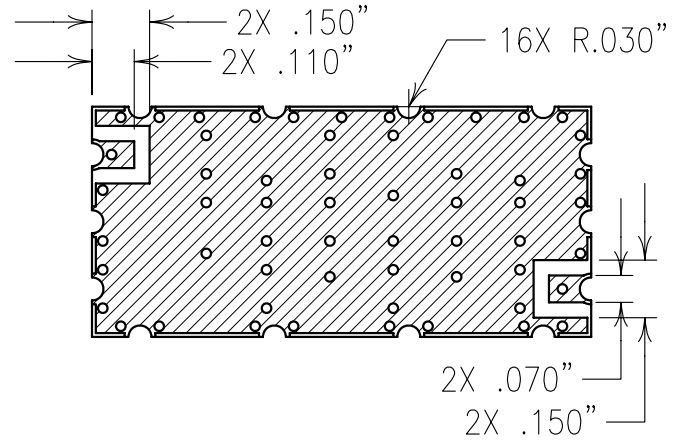
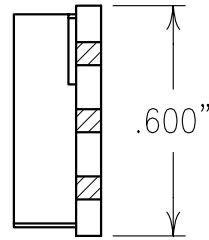
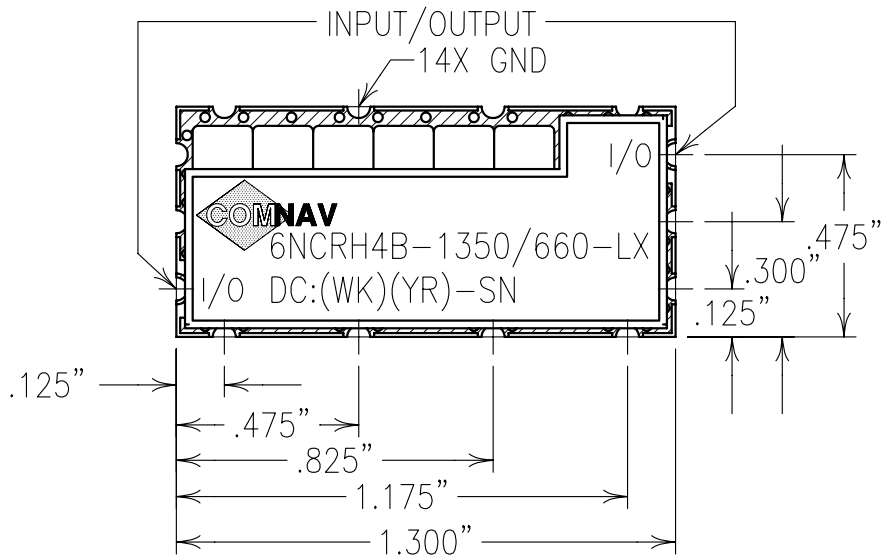


2

1

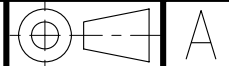


COPY

ELECTRICAL CHARACTERISTICS

CENTER FREQUENCY:	1350 MHz
3dB BANDWIDTH:	660 MHz NOM
PASSBAND:	1180-1520 MHz
PASSBAND FLATNESS:	<0.2 dB/40 MHz
PASSBAND LOSS:	<1.5 dB
PASSBAND VSWR:	<1.5:1
PASSBAND DELAY VAR.:	
LINEAR:	<0.5 NSEC
PARABOLIC:	<1.0 NSEC
REJECTION:	
>70 dBc:	800 MHz
>75 dBc:	1900-2250 MHz
OPERATING TEMP.:	0° TO 60°C

Confidential and Proprietary information of ComNav Engineering Inc. Do Not Duplicate or Use Without Permission. ComNav Engineering Inc. claims Copyright in this document as of the Creation, last revision, and last updated dates. All Rights Reserved.



NOTES:

RECOMMENDED ATTACHMENT METHOD: SILVER EPOXY
OR REFLOW NOT TO EXCEED AS INDICATED BELOW:

TEMP.(°C) MAX.TIME(SEC)

215	90
230	60
245	30
260	15

ENGLISH / METRIC ENGLISH	CHECKED BY				
TOLERANCES UNLESS OTHERWISE SPECIFIED	DRAWN BY				
MACHINED SURFACES TO BE 125 / OR BETTER	ENGINEER	II	07FEB03	MJG	DEV.
REMOVE ALL BURRS	MJG	REV	DATE	BY	DCN No.
ENGLISH (INCHES)	METRIC (MM)	SCALE	APPLIC: COAXIAL FILTER		
.XX ±.02	.X ±.25	2:1	TITLE: 6NCRH4B-1350/660-LX		
.XXX ±.010	.XX ±.13	DATE	DRAWING No.		
ANGLES ± 0° 30'	21FEB03	FINISH:	BOARD: NI/AU PLATED COPPER		JACKET: NI/SILVER
			RESONATOR: SILVER		REMARKS
			DRAWING No. OL0451		SHEET OF 1 1