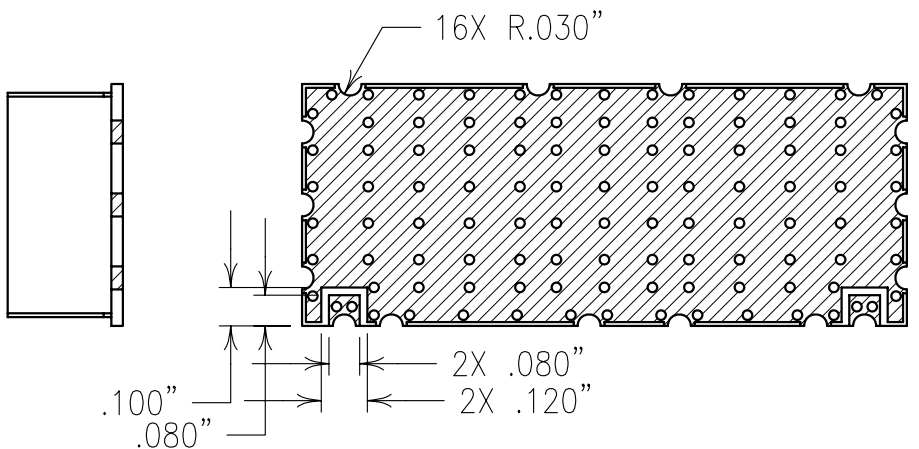
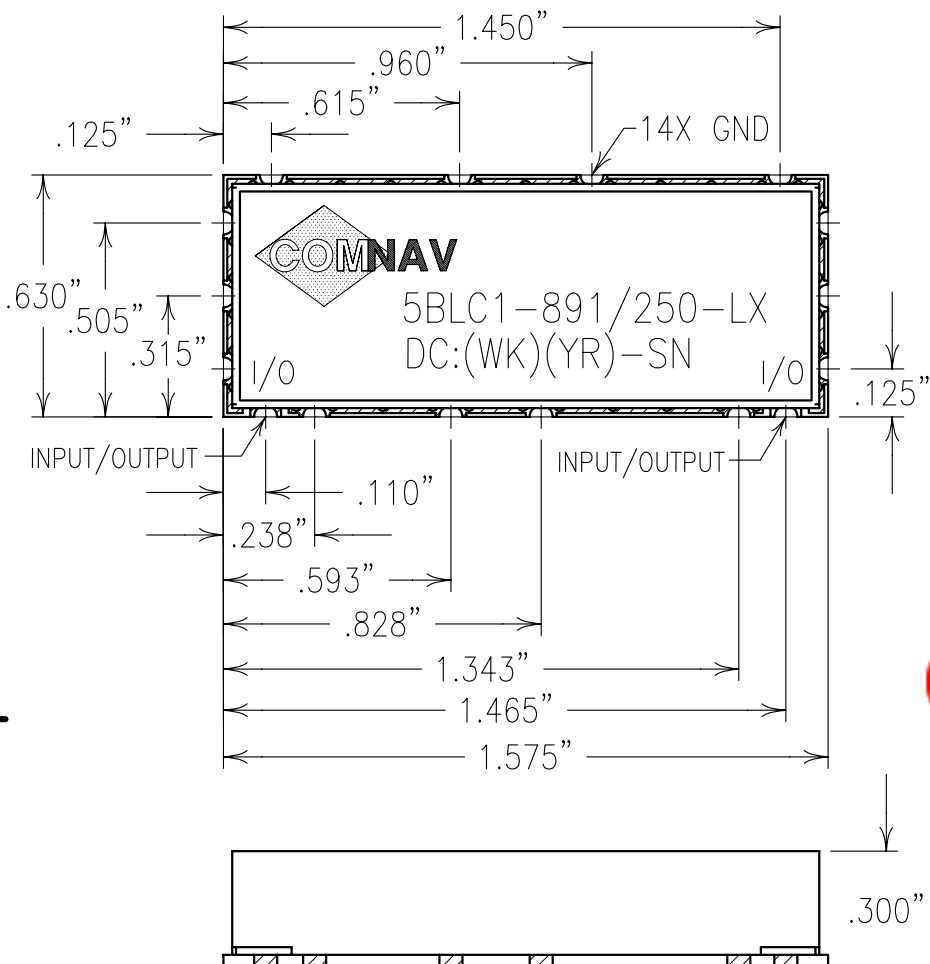


2

1



COPY

ELECTRICAL CHARACTERISTICS	
CENTER FREQUENCY:	891.25 MHz
3dB BANDWIDTH:	250 MHz MAX.
PASSBAND:	789.5-993 MHz
PASSBAND FLATNESS:	<1.0 dB
PASSBAND LOSS:	<2.5 dB
PASSBAND VSWR:	1.5:1 TYP.
PASSBAND DELAY VAR.:	<10 NSEC
ATTENUATION:	
500 MHz:	>50 dB
1289.5-1493 MHz:	>40 dB
1789.5-3000 MHz:	>50 dB

NOTES:

RECOMMENDED ATTACHMENT METHOD: SILVER EPOXY OR REFLOW NOT TO EXCEED AS INDICATED BELOW:

TEMP.(°C)	MAX.TIME(SEC)
215	90
230	60
245	30
260	15

Confidential and Proprietary information of ComNav Engineering Inc. Do Not Duplicate or Use Without Permission. ComNav Engineering Inc. claims Copyright in this document as of the Creation, last revision, and last updated dates. All Rights Reserved.							A
ENGLISH / METRIC ENGLISH	CHECKED BY						
TOLERANCES UNLESS OTHERWISE SPECIFIED	DRAWN BY						
MACHINED SURFACES TO BE 125 OR BETTER	ENGINEER	II	20JAN03	MJG	DEV.		INI. ISS. PER 2006
REMOVE ALL BURRS		REV	DATE	BY	DCN No.		REMARKS
ENGLISH (INCHES)	METRIC (MM)	SCALE	APPLIC: COAXIAL FILTER				
.XX ±.02	.X ±.25	DATE	TITLE: 5BLC1-891/250-LX				
.XXX ±.010	.XX ±.13	28JAN03					
ANGLES ± 0° 30'	FINISH: BOARD: NI/AU PLATED COPPER JACKET: NI/SILVER RESONATOR: SILVER		DRAWING No.		SHEET OF 1 1		
		0L0445					