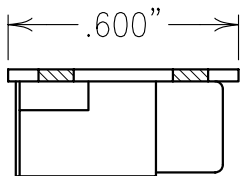


2

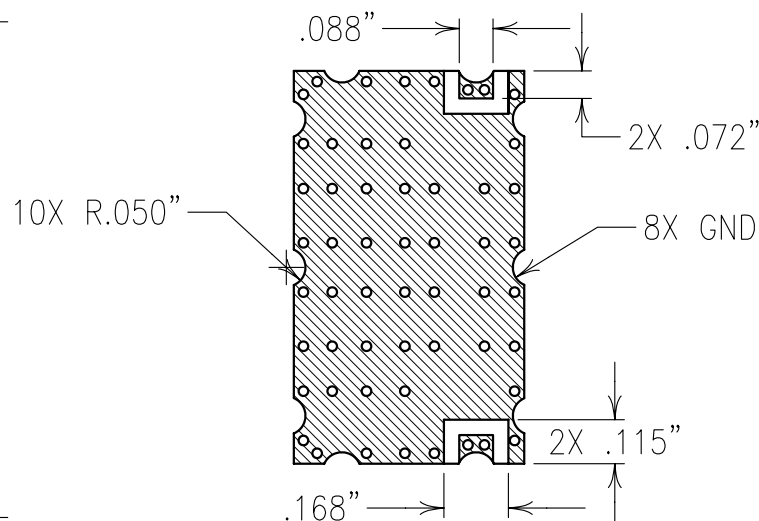
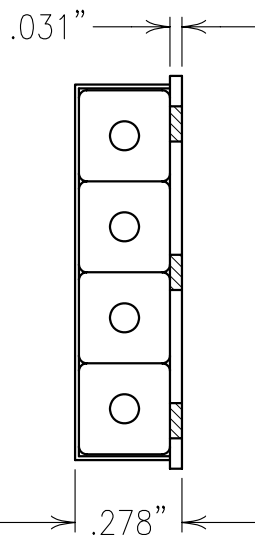
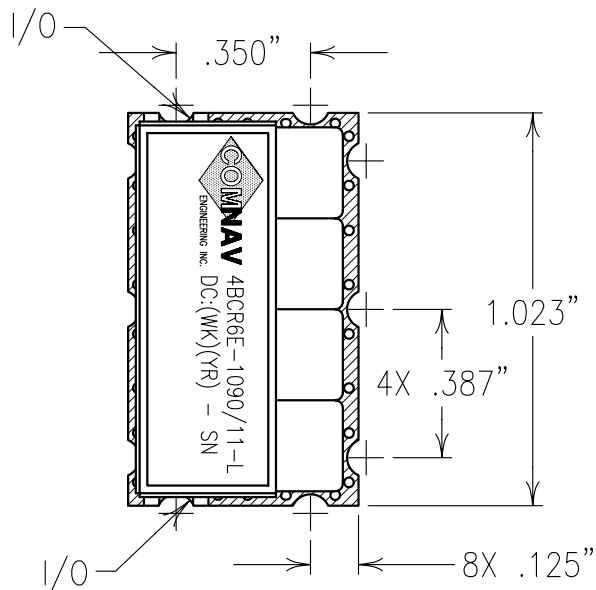
1



**COPY**

**ELECTRICAL CHARACTERISTICS**

CENTER FREQUENCY: 1090 MHz  
 3 dB BANDWIDTH 11 MHz ±1 MHz  
 LOSS @ fo: 6.0 dB  
 VSWR IN 50 OHMS: 1.7:1 TYP  
 50 db REJECTION: fo ±30 MHz  
 GROUP DELAY  
 ACROSS fo ±3 MHz: 15 nSEC MAX

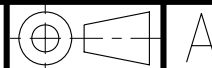


NOTES:  
 FOR RECOMMENDED FOOTPRINT SEE FP0037.  
 RECOMMENDED ATTACHMENT METHOD: SILVER EPOXY  
 OR REFLOW NOT TO EXCEED AS INDICATED BELOW:

TEMP.(°C) MAX.TIME(SEC)

215	90
230	60
245	30
260	15

Confidential and Proprietary information of ComNav Engineering Inc. Do Not Duplicate or Use Without Permission. ComNav Engineering Inc. claims Copyright in this document as of the Creation, last revision, and last updated dates. All Rights Reserved.



ENGLISH / METRIC ENGLISH		CHECKED BY					
TOLERANCES UNLESS OTHERWISE SPECIFIED		DRAWN BY	A	09JAN03	MJG	DEV.	GEN. REV. PER 1997
MACHINED SURFACES TO BE 125 / OR BETTER REMOVE ALL BURRS		ENGINEER	II	16DEC02	JM	DEV.	INI. ISS. PER 1981
			REV	DATE	BY	DCN No.	REMARKS
ENGLISH (INCHES)	METRIC (MM)	SCALE	APPLIC: CERAMIC COAXIAL FILTER				
.XX ±.02	.X ±.5	DATE	TITLE: 4BCR6E-1090/11-L				
.XXX ±.010	.XX ±.25	09JAN03					
ANGLES ± 0° 30'		FINISH:		DRAWING No.		SHEET OF	
		BOARD: Sn63Pb37 PLATED COPPER		0L0443		1 1	
		JACKET: NI/SILVER					
		RESONATOR: SILVER					