

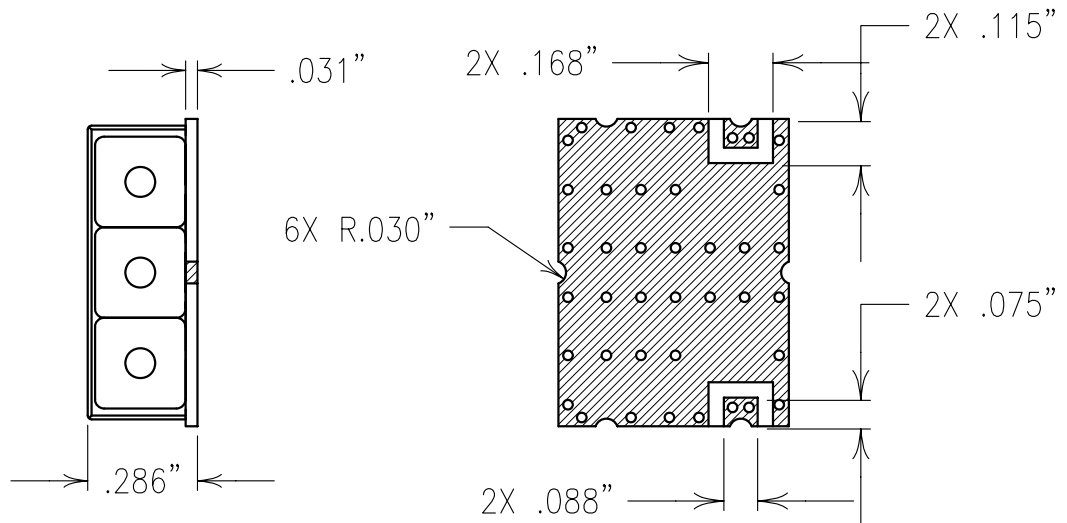
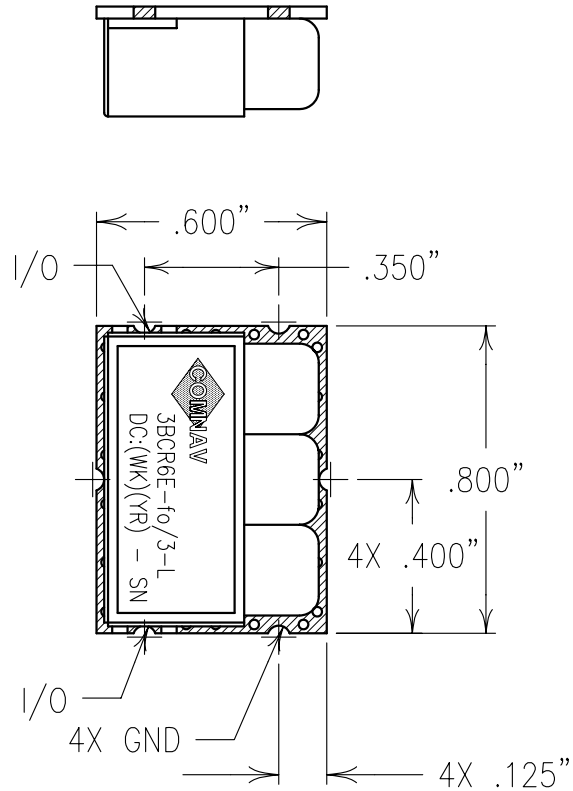
2

1

COPY

ELECTRICAL CHARACTERISTICS

CENTER FREQ. (fo):	905,835 MHz
3 dB BANDWIDTH	3 MHz NOM.
LOSS @ fo:	<10 dB
VSWR @ fo:	<1.5:1
REJECTION:	
30 dBc	fo ± 10 MHz
50 dBc	fo ± 20 MHz



Confidential and Proprietary information of ComNav Engineering Inc. Do Not Duplicate or Use Without Permission. ComNav Engineering Inc. claims Copyright in this document as of the Creation, last revision, and last updated dates. All Rights Reserved.

ENGLISH / METRIC ENGLISH	CHECKED BY					
TOLERANCES UNLESS OTHERWISE SPECIFIED	DRAWN BY	A	14JUL05	PBF	DEV.	GEN. REV. PER 2405
MACHINED SURFACES TO BE 125 / OR BETTER	ENGINEER	II	08NOV02	JM	DEV.	INI. ISS. PER 1971
REMOVE ALL BURRS	REV	DATE	BY	DCN No.	REMARKS	
ENGLISH (INCHES)	METRIC (MM)	SCALE	APPLIC: CERAMIC COAXIAL FILTER			
.XX ±.02	.X ±.5	DATE	TITLE: 3BCR6E-fo/3-L			
.XXX ±.010	.XX ±.25	18JUL05				
ANGLES ± 0° 30'	FINISH:		DRAWING No.		SHEET OF	
COMNAV ENGINEERING INC.		BOARD: NI/AU PLATED COPPER JACKET: NI/SILVER RESONATOR: SILVER		0L0439		1 1

NOTES:
 FOR RECOMMENDED FOOTPRINT SEE FP0028.
 RECOMMENDED ATTACHMENT METHOD: SILVER EPOXY
 OR REFLOW NOT TO EXCEED AS INDICATED BELOW:
 TEMP.(°C) MAX.TIME(SEC)

215	90
230	60
245	30
260	15