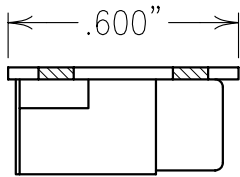


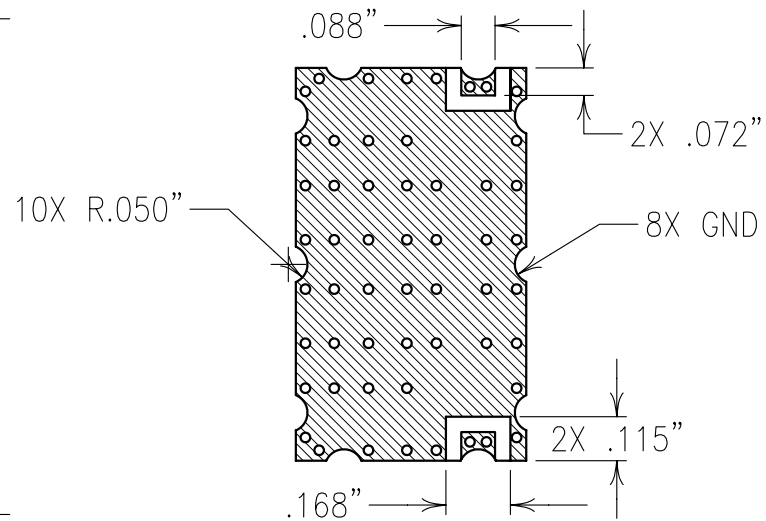
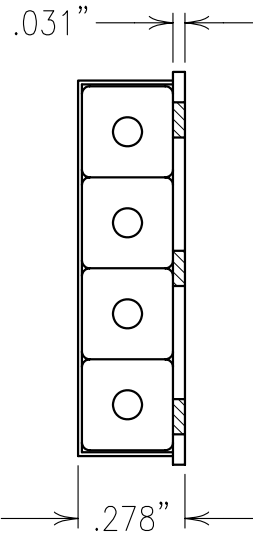
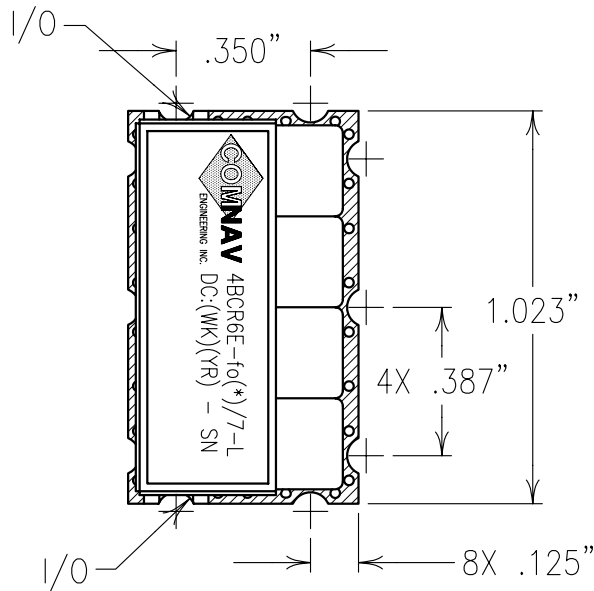
2

1



COPY

ELECTRICAL CHARACTERISTICS	
CENTER FREQ. (fo):	905,835 MHz
3 dB BANDWIDTH	7 MHz NOM.
1 dB BANDWIDTH	5 MHz NOM.
LOSS @ fo:	<10 dB
VSWR @ fo:	<1.5:1 TYP
REJECTION:	
fo ± 10 MHz	3 dBc
fo ± 20 MHz	50 dBc
OPERATING TEMP:	-40° TO +85°C



Confidential and Proprietary information of ComNav Engineering Inc. Do Not Duplicate or Use Without Permission. ComNav Engineering Inc. claims Copyright in this document as of the Creation, last revision, and last updated dates. All Rights Reserved.

NOTES:
 FOR RECOMMENDED FOOTPRINT SEE FP0037.
 RECOMMENDED ATTACHMENT METHOD: SILVER EPOXY
 OR REFLOW NOT TO EXCEED AS INDICATED BELOW:
 TEMP.(°C) MAX.TIME(SEC)

215	90
230	60
245	30
260	15

ENGLISH / METRIC ENGLISH	CHECKED BY				
TOLERANCES UNLESS OTHERWISE SPECIFIED MACHINED SURFACES TO BE 125 / OR BETTER REMOVE ALL BURRS	DRAWN BY PBF				
	ENGINEER MJG	II	08NOV02	JM	DEV. INI. ISS. PER 1971
		REV	DATE	BY	DCN No. REMARKS
ENGLISH (INCHES) .XX ±.02 .XXX ±.010	METRIC (MM) .X ±.5 .XX ±.25	SCALE 2:1	APPLIC: CERAMIC COAXIAL FILTER		
ANGLES ± 0° 30'	DATE 11NOV02	TITLE: 4BCR6E-fo(*)/7-L			
	FINISH: BOARD: Sn63Pb37 PLATED COPPER JACKET: NI/SILVER RESONATOR: SILVER	DRAWING No. OL0438		SHEET OF 1 1	