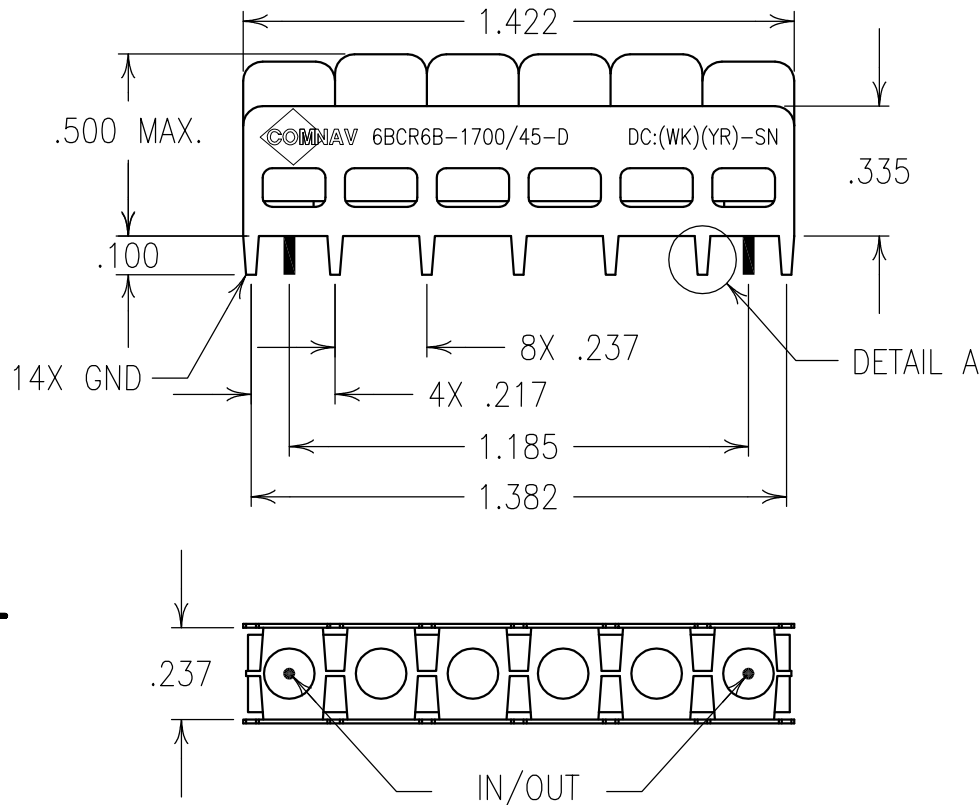


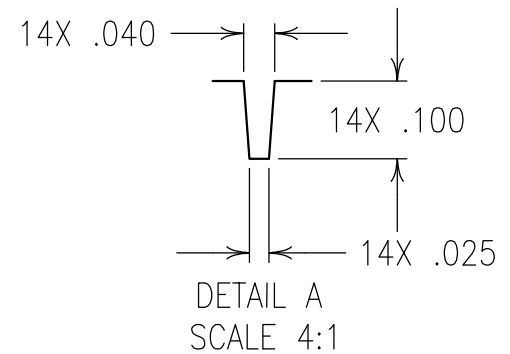
2

1



ELECTRICAL CHARACTERISTICS	
CENTER FREQUENCY:	1700 MHz
0.5 dB PASSBAND:	1690-1710 MHz MIN
3 dB BANDWIDTH:	45 MHz NOM
PASSBAND FLATNESS:	<0.5 dB
LOSS AT fc:	<2.5 dB
PASSBAND VSWR:	<1.5:1
TEMP. RANGE:	-54 TO +95°C
IMPEDANCE:	50 OHMS
REJECTION:	
DC-1600 MHz:	80 dBc
1800-4500 MHz:	80 dBc

**COPY**



NOTES:  
 MAX REFLOW TEMP. 240°C FOR 30 SEC.,  
 OR 260°C FOR 15 SEC.  
 FOR RECOMMENDED FOOTPRINT SEE FP0043.

Confidential and Proprietary information of ComNav Engineering Inc. Do Not Duplicate or Use Without Permission. ComNav Engineering Inc. claims Copyright in this document as of the Creation, last revision, and last updated dates. All Rights Reserved.							
ENGLISH / METRIC ENGLISH	CHECKED BY	B	09JUN09	KJR	DEV.	GEN. REV. PER 3074	
TOLERANCES UNLESS OTHERWISE SPECIFIED	DRAWN BY	A	17DEC08	KJR	DEV.	GEN. REV. PER 2986	
MACHINED SURFACES TO BE 125 OR BETTER	ENGINEER	II	15OCT02	MJG	DEV.	INI. ISS. PER 1965	
REMOVE ALL BURRS	KJR	REV	DATE	BY	DCN No.	REMARKS	
ENGLISH (INCHES)	METRIC (MM)	SCALE	APPLIC: CERAMIC COAXIAL FILTER				
.XX ±.02	.X ±.25	2:1	TITLE: 6BCR6B-1700/45-D				
.XXX ±.010	.XX ±.13	DATE	DRAWING No. 0L0435				
ANGLES ± 0° 30'	09JUN09	SHEET OF 1 1					
		FINISH: JACKET: NI/SILVER RESONATOR: SILVER PINS: TIN PLATED BRASS			DRAWING No. 0L0435		