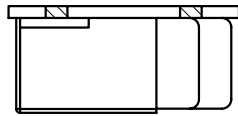


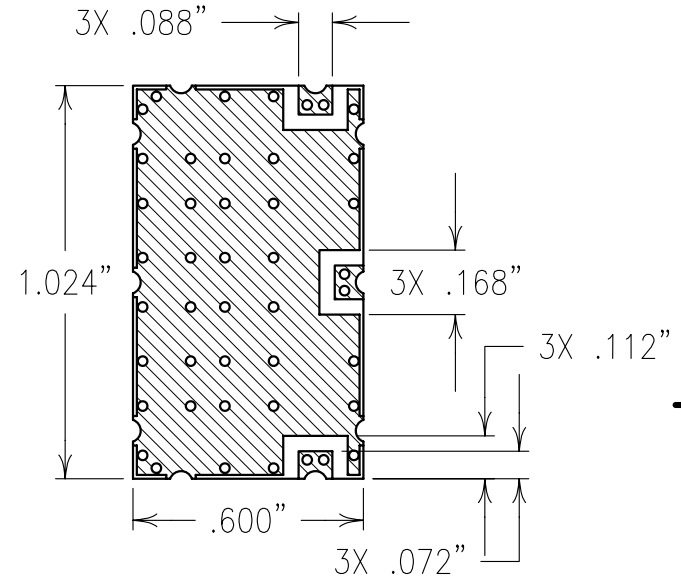
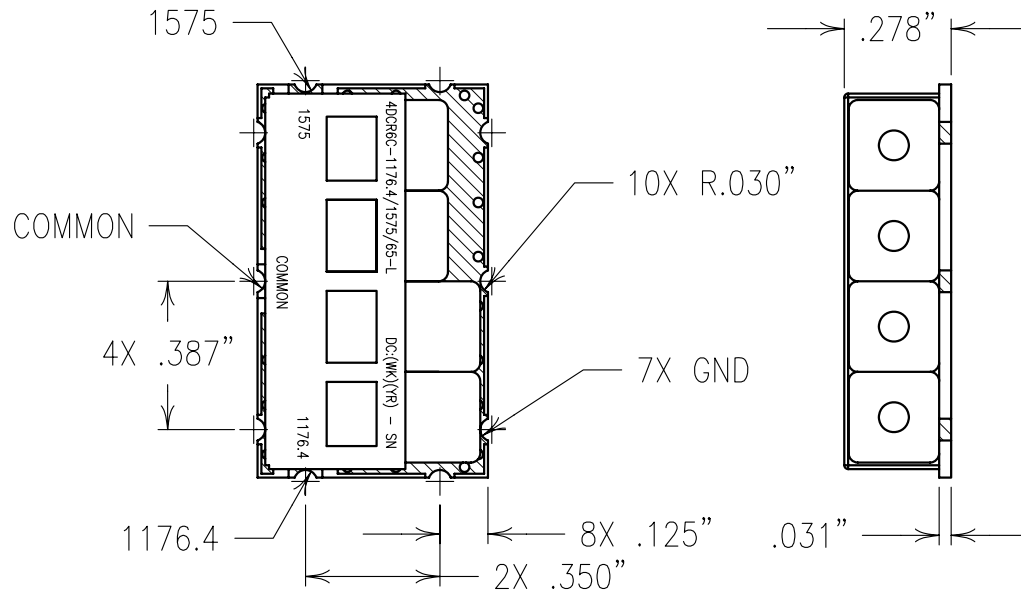
2

1



COPY

ELECTRICAL CHARACTERISTICS		
	L1	L2
CENTER FREQUENCY	1575 MHz	1176.4 MHz
3dB BANDWIDTH	65 MHz NOM	65 MHz NOM
PASSBAND	1565-1585 MHz	1166.4-1186.4 MHz
PASSBAND LOSS	<1.0 dB	<1.0 dB
PASSBAND VSWR	<1.7:1	<1.7:1
ISOLATION	>40 dB	>36 dB



NOTES:

FOR RECOMMENDED FOOTPRINT SEE FP0045.
 RECOMMENDED ATTACHMENT METHOD: SILVER EPOXY
 OR REFLOW NOT TO EXCEED AS INDICATED BELOW:

TEMP.(°C)	MAX.TIME(SEC)
215	90
230	60
245	30
260	15

Confidential and Proprietary information of ComNav Engineering Inc. Do Not Duplicate or Use Without Permission. ComNav Engineering Inc. claims Copyright in this document as of the Creation, last revision, and last updated dates. All Rights Reserved.

ENGLISH / METRIC	CHECKED BY	REV	DATE	BY	DCN No.	REMARKS
ENGLISH	B	18SEP02	TLW	DEV.		GEN. REV. PER 1945
TOLERANCES UNLESS OTHERWISE SPECIFIED	A	17SEP02	TLW	DEV.		GEN. REV. PER 1943
MACHINED SURFACES TO BE 125 OR BETTER	II	27AUG02	MJG	DEV.		INI. ISS. PER 1941
REMOVE ALL BURRS	JLM					

ENGLISH (INCHES)	METRIC (MM)	SCALE	APPLIC:
.XX ±.02	.X ±.25	2:1	CERAMIC COAXIAL FILTER
.XXX ±.010	.XX ±.13	DATE	TITLE:
ANGLES ± 0° 30'		18SEP02	4DCR6C-1176.4/1575/65-L

	FINISH: JACKET: NI/SILVER	DRAWING No.	SHEET OF 1 1
	RESONATOR: SILVER	0L0427	
	BOARD: NICKEL/GOLD		