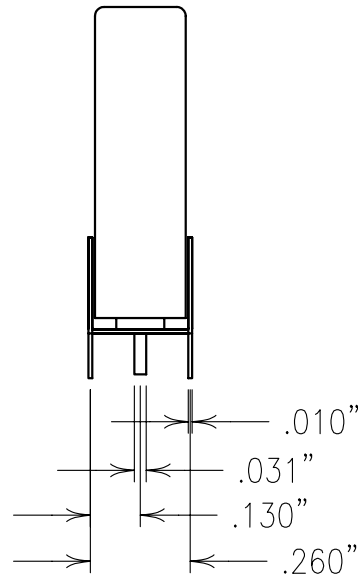
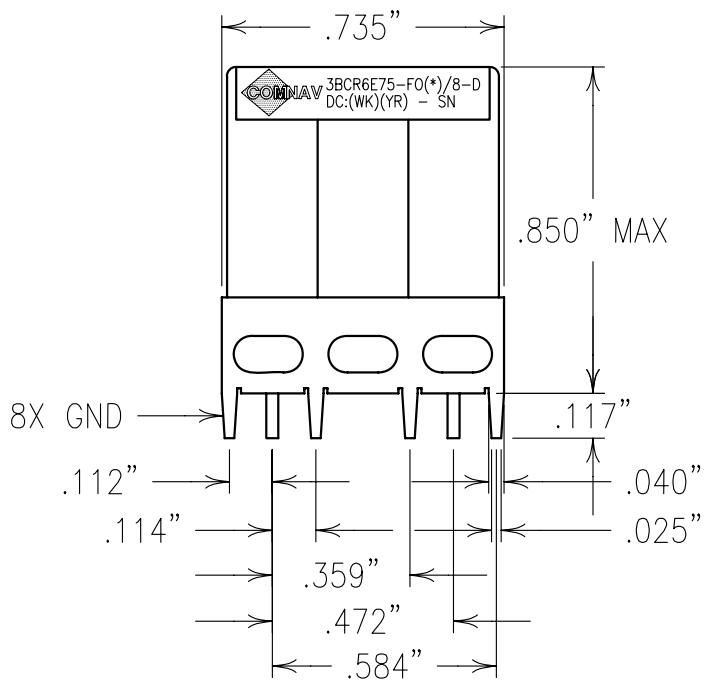


2

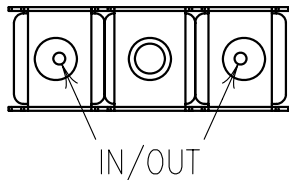
1



ELECTRICAL CHARACTERISTICS

CENTER FREQUENCY:	RANGE 453-861 MHz
3dB BANDWIDTH:	8 MHz MAX
2 dB BANDWIDTH:	6 MHz MIN
LOSS @ Fo:	<4.5 dB
VSWR:	1.5:1 TYP.
IMPEDANCE:	75 OHMS
40 dB BANDWIDTH:	fo±28 MHz

**COPY**



NOTES:

Confidential and Proprietary information of ComNav Engineering Inc. Do Not Duplicate or Use Without Permission. ComNav Engineering Inc. claims Copyright in this document as of the Creation, last revision, and last updated dates. All Rights Reserved.

ENGLISH / METRIC ENGLISH	CHECKED BY						
TOLERANCES UNLESS OTHERWISE SPECIFIED MACHINED SURFACES TO BE 125 / OR BETTER REMOVE ALL BURRS	DRAWN BY PBF	A	24FEB03	TLW	DEV.	GEN. REV. PER 2018	
	ENGINEER MJG	II	23AUG02	MJG	DEV.	INI. ISS. PER 1936	
		REV	DATE	BY	DCN No.	REMARKS	
ENGLISH (INCHES) .XX ±.02 .XXX ±.010	METRIC (MM) .X ±.25 .XX ±.13	SCALE 2:1	APPLIC: CERAMIC COAXIAL FILTER				
ANGLES ± 0° 30'	DATE 03MAR03	TITLE: 3BCR6E75-F0(*)/8-D					
	FINISH: JACKET: NI/SILVER RESONATOR: SILVER	DRAWING No. OL0424			SHEET OF 1 1		