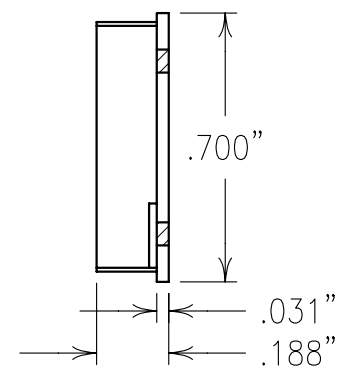
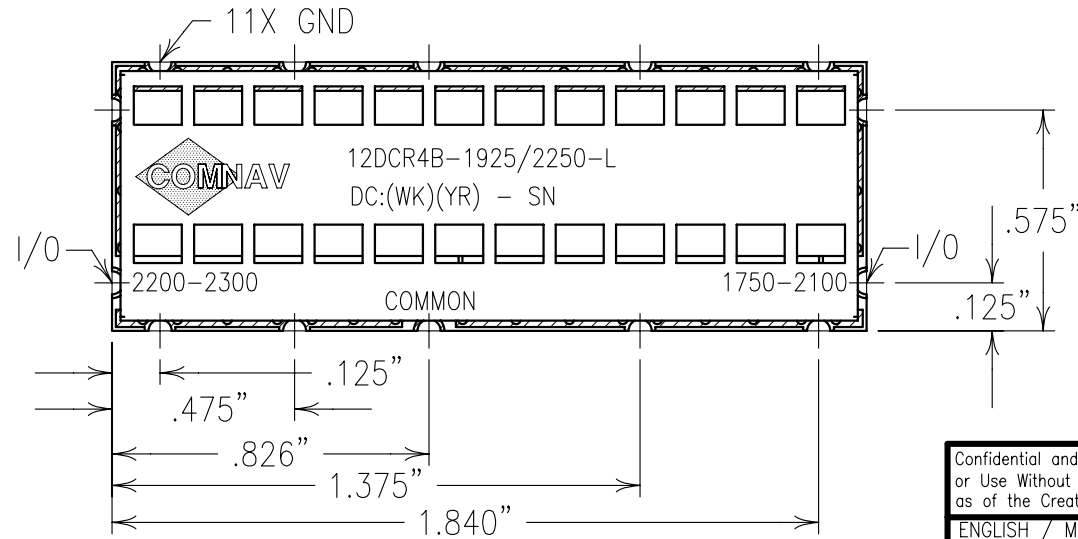


ELECTRICAL CHARACTERISTICS		
	CHANNEL1	CHANNEL2
CENTER FREQUENCY	1925 MHz	2250 MHz
PASSBAND	1750-2100 MHz	2200-2300 MHz
ISOLATION	50 dB	50 dB
PASSBAND LOSS	<2.0 dB	<2.0 dB
FLATNESS	<1.5 dB	<1.5 dB
VSWR	2.0:1 TYP	2.0:1 TYP

COPY



NOTES:

RECOMMENDED ATTACHMENT METHOD: SILVER EPOXY OR REFLOW NOT TO EXCEED AS INDICATED BELOW:

TEMP.(°C)	MAX.TIME(SEC)
215	90
230	60
245	30
260	15

Confidential and Proprietary information of ComNav Engineering Inc. Do Not Duplicate or Use Without Permission. ComNav Engineering Inc. claims Copyright in this document as of the Creation, last revision, and last updated dates. All Rights Reserved.						A
ENGLISH / METRIC ENGLISH	CHECKED BY					
TOLERANCES UNLESS OTHERWISE SPECIFIED MACHINED SURFACES TO BE 125 / OR BETTER REMOVE ALL BURRS	DRAWN BY PBF					
	ENGINEER MJG	II	12AUG02	MJG	DEV.	INI. ISS. PER 1932
		REV	DATE	BY	DCN No.	REMARKS
ENGLISH (INCHES) .XX ±.02 .XXX ±.010	METRIC (MM) .X ±.25 .XX ±.13	SCALE 2:1	APPLIC: CERAMIC COAXIAL FILTER			
ANGLES ± 0° 30'	DATE 28AUG02	TITLE: 12DCR4B-1925/2250-L				
		FINISH: BOARD: NI/AU JACKET: NI/SILVER RESONATOR: SILVER			DRAWING No. 010423	
						SHEET OF 1 1