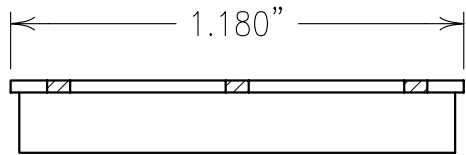


2

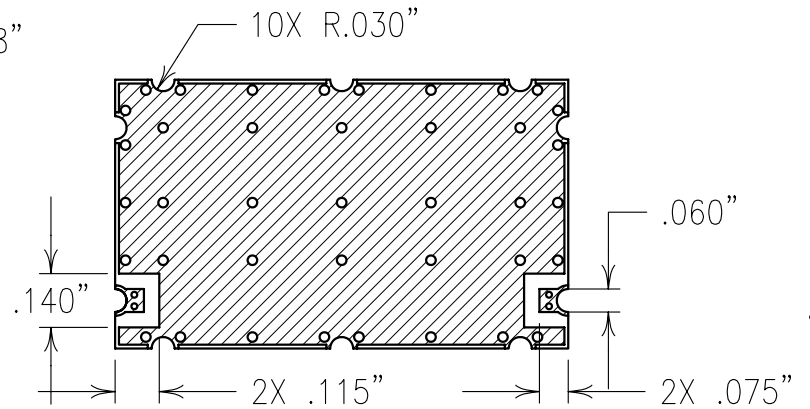
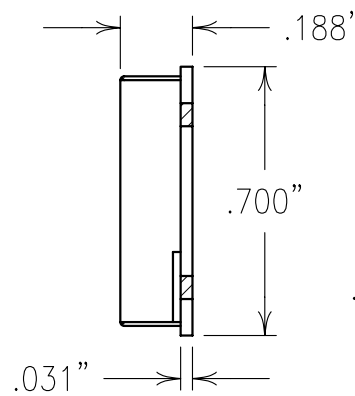
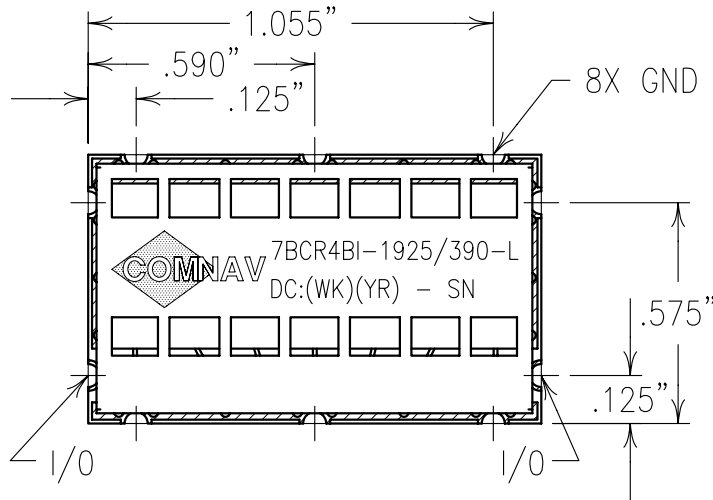
1



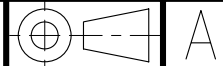
**COPY**

**ELECTRICAL CHARACTERISTICS**

CENTER FREQUENCY	1925 MHz
3 dB BANDWIDTH	390 MHz
PASSBAND	1750-2100 MHz
PASSBAND VSWR	<1.7:1
PASSBAND LOSS	<1.8 dB
FLATNESS	<1.2 dB
48 dB REJECTION	2200-2300 MHz



Confidential and Proprietary information of ComNav Engineering Inc. Do Not Duplicate or Use Without Permission. ComNav Engineering Inc. claims Copyright in this document as of the Creation, last revision, and last updated dates. All Rights Reserved.



**NOTES:**

RECOMMENDED ATTACHMENT METHOD: SILVER EPOXY OR REFLOW NOT TO EXCEED AS INDICATED BELOW:

TEMP.(°C)	MAX.TIME(SEC)
215	90
230	60
245	30
260	15

ENGLISH / METRIC ENGLISH	CHECKED BY				
TOLERANCES UNLESS OTHERWISE SPECIFIED	DRAWN BY PBF				
MACHINED SURFACES TO BE 125 / OR BETTER	ENGINEER MJG	II	12AUG02	MJG	DEV.
REMOVE ALL BURRS	REV	DATE	BY	DCN No.	REMARKS
ENGLISH (INCHES)	METRIC (MM)	SCALE 2:1	APPLIC: CERAMIC COAXIAL FILTER		
.XX ±.02 .XXX ±.010	.X ±.25 .XX ±.13	DATE 13AUG02	TITLE: 7BCR4BI-1925/390-L		
ANGLES ± 0° 30'	FINISH: BOARD: NI/AU JACKET: NI/SILVER RESONATOR: SILVER		DRAWING No. OL0422		SHEET OF 1 1