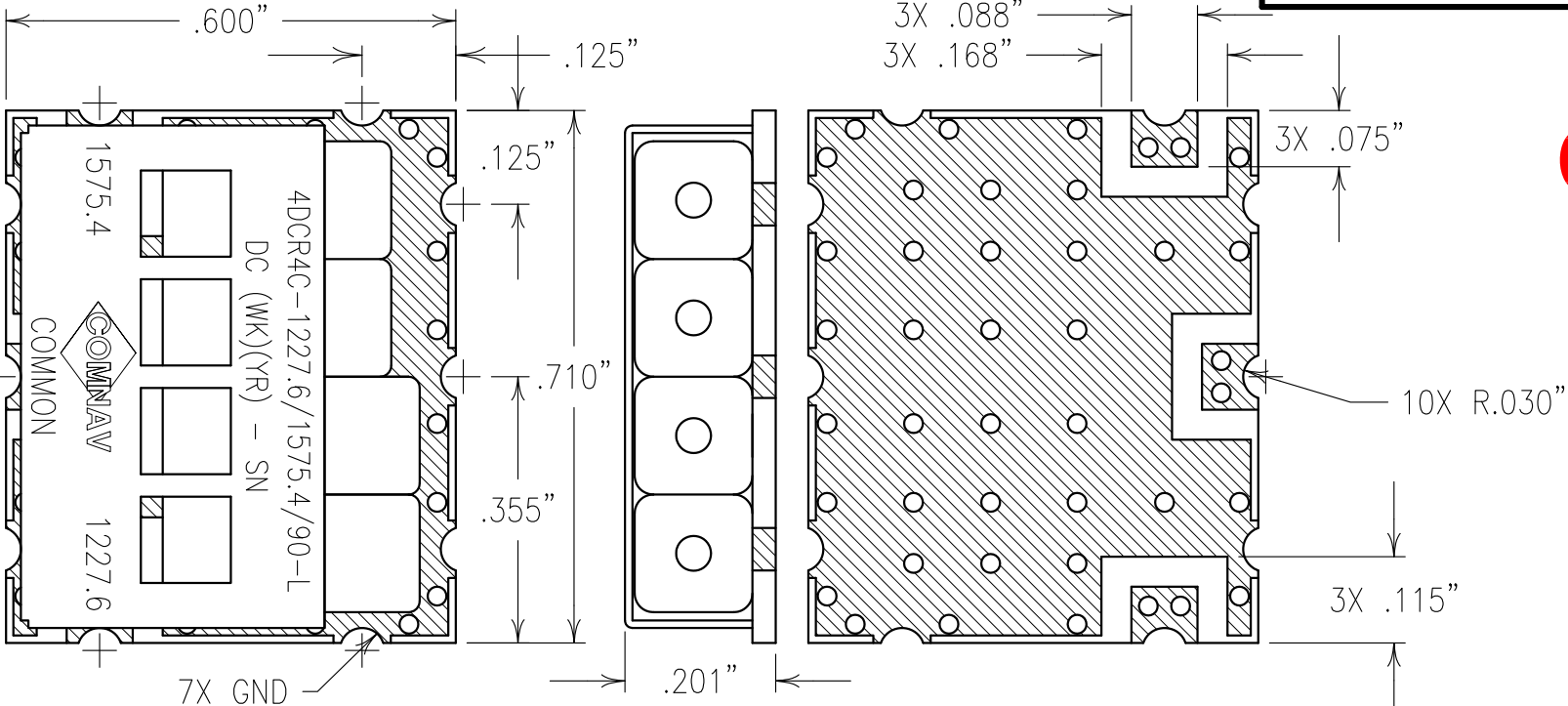
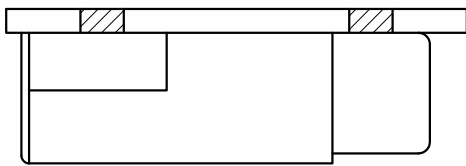


2

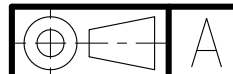
1

ELECTRICAL CHARACTERISTICS

	CHANNEL 1	CHANNEL 2
CENTER FREQUENCY	1575.4 MHz	1227.6 MHz
PASSBAND(MHz)	1565.4-1585.4	1217.6-1237.6
3dB PASSBAND	90 MHz NOM	90 MHz NOM
PASSBAND DELAY VAR.	<0.5 nSEC	<0.5 nSEC
PASSBAND AMP. FLATNESS	<0.1 dB	<0.1 dB
PASSBAND LOSS	< 0.7 dB	< 0.7 dB
VSWR	1.7:1	1.7:1
CO-CHANNEL ISOLATION	>30 dBc	>30 dBc
IMPEDANCE	50 OHMS	50 OHMS



COPY



Confidential and Proprietary information of ComNav Engineering Inc. Do Not Duplicate or Use Without Permission. ComNav Engineering Inc. claims Copyright in this document as of the Creation, last revision, and last updated dates. All Rights Reserved.

NOTES:

FOR RECOMMENDED FOOTPRINT SEE FP0002.

RECOMMENDED ATTACHMENT METHOD: SILVER EPOXY OR REFLOW NOT TO EXCEED AS INDICATED BELOW:

TEMP.(°C)	MAX. TIME(SEC)
215	90
230	60
245	30
260	15

FILTER IS ROHS COMPLIANT.
FILTER MAY BE ETCHED OR LABELED.

ENGLISH / METRIC ENGLISH	CHECKED BY C	21MAR14	TLA	DEV.	GEN. REV. PER 3775
TOLERANCES UNLESS OTHERWISE SPECIFIED MACHINED SURFACES TO BE 125 / OR BETTER REMOVE ALL BURRS	DRAWN BY PBF	B	09AUG06	MJG	DEV. GEN. REV. PER 2547
ENGLISH (INCHES) .XX ±.02 .XXX ±.010	ENGINEER MJG	A	12AUG02	TLW	DEV. GEN. REV. PER 1933
METRIC (MM) .X ±.25 .XX ±.13	SCALE 4:1	REV	DATE	BY	DCN No. REMARKS
ANGLES ± 0° 30'	DATE 21MAR14	APPLIC: CERAMIC COAXIAL FILTER			
COMNAV ENGINEERING INC.	FINISH: BOARD: NI/GOLD JACKET: NI/SILVER RESONATOR: SILVER	TITLE: 4DCR4C-1227.6/1575.4/90-L			
	DRAWING No. 0L0421	SHEET OF 1 1			