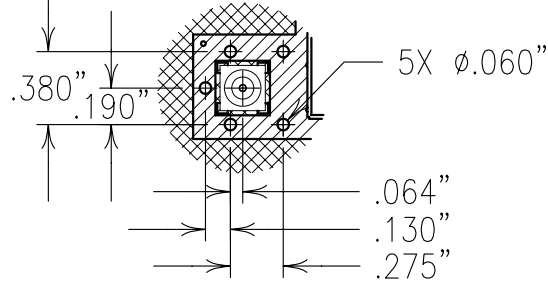


COPY

2

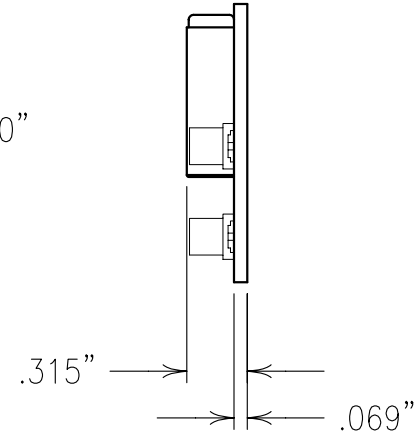
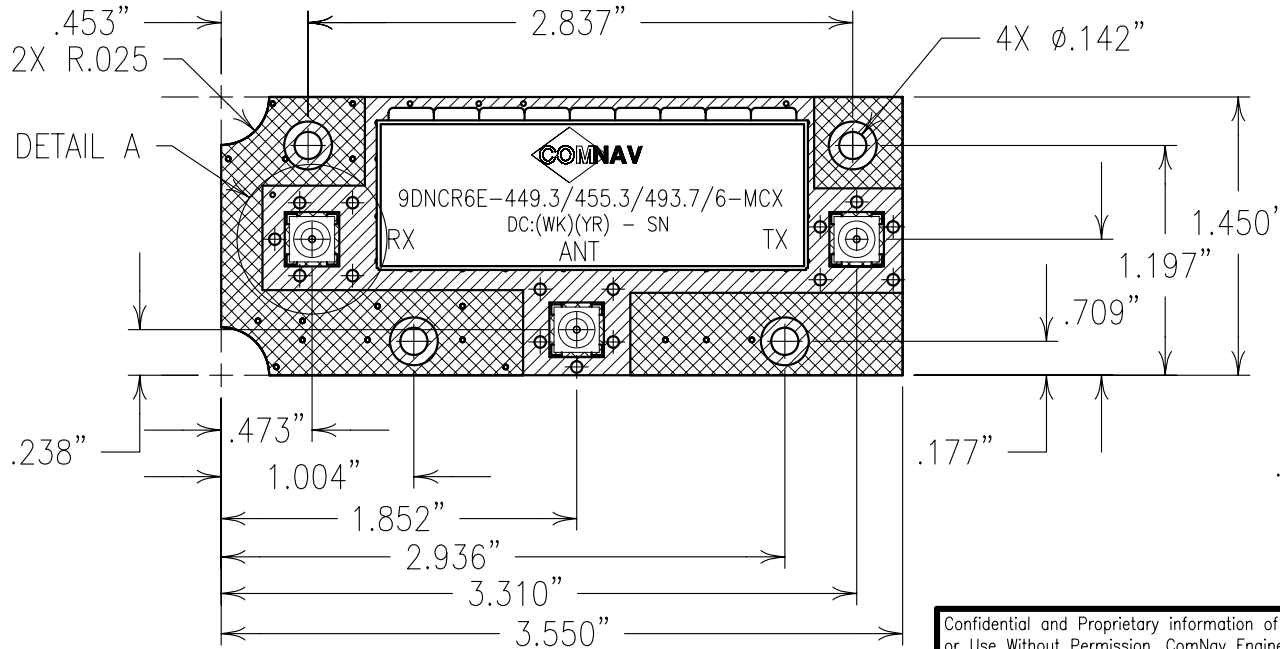
1

DETAIL A (3 PLACES)

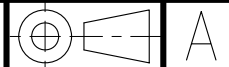


ELECTRICAL CHARACTERISTICS

	Tx:	Rx:
PASSBAND (MHz):	448.3–449.4	454.8–455.9
PASSBAND LOSS (dB):	<3.0 dB	<4.0 dB
VSWR:	<1.5:1	<1.5:1
24 dB REJ. (MHz):	N/A	493.7
60 dB REJ. (MHz):	454.8–455.9	N/A
65 dB REJ. (MHz):	N/A	448.3–449.4



Confidential and Proprietary information of ComNav Engineering Inc. Do Not Duplicate or Use Without Permission. ComNav Engineering Inc. claims Copyright in this document as of the Creation, last revision, and last updated dates. All Rights Reserved.






NOTES:

RECOMMENDED ATTACHMENT METHOD: SILVER EPOXY OR REFLOW NOT TO EXCEED AS INDICATED BELOW:

TEMP.(°C) MAX.TIME(SEC)

215	90
230	60
245	30
260	15

-  COPPER
-  SOLDER MASK
-  SOLDER MASK OVER COPPER

ENGLISH / METRIC ENGLISH	CHECKED BY B	01OCT02	MJG	DEV.	GEN. REV. PER 1953	
TOLERANCES UNLESS OTHERWISE SPECIFIED	DRAWN BY A	23APR02	RME	DEV.	GEN. REV. PER 1883	
MACHINED SURFACES TO BE 125 / OR BETTER	ENGINEER II	27DEC01	MJG	DEV.	INI. ISS. PER 1811	
REMOVE ALL BURRS	ENGINEER MJG	REV	DATE	BY	DCN No.	
ENGLISH (INCHES)	METRIC (MM)	SCALE 1:1	APPLIC: CERAMIC COAXIAL FILTER			
.XX ±.02 .XXX ±.010	.X ±.50 .XX ±.25	DATE 01OCT02	TITLE: 9DNCR6E-449.3/455.3/493.7/6-MCX			
ANGLES ± 0° 30'	FINISH: BOARD: NI/AU JACKET: NI/SILVER RESONATOR: SILVER		DRAWING No. 0L0387		SHEET OF 1 1	