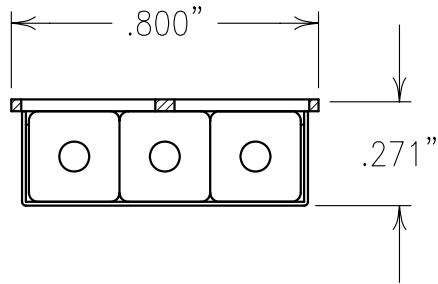


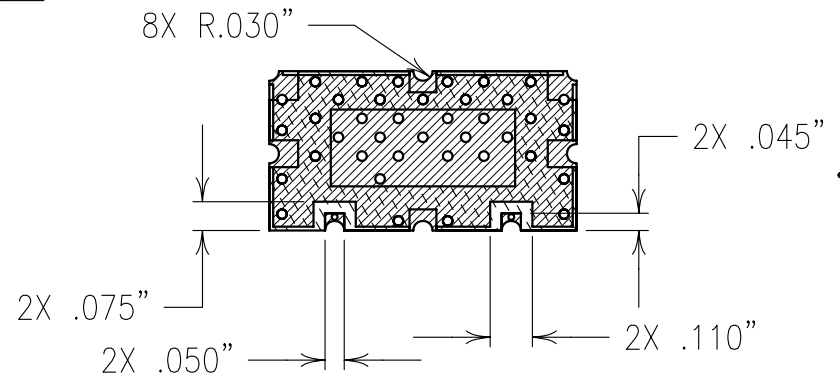
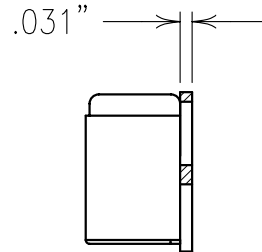
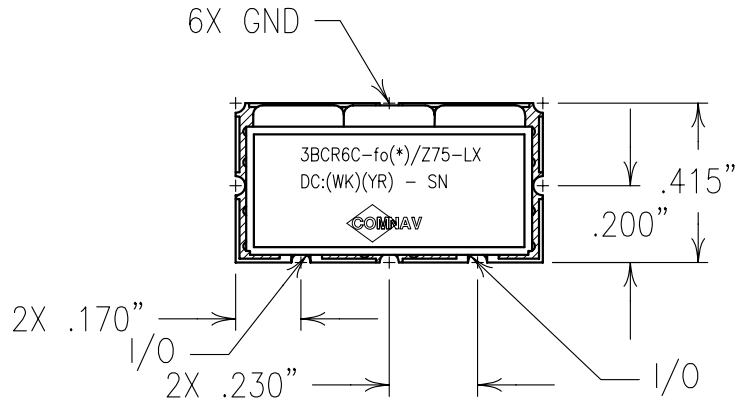
2

1

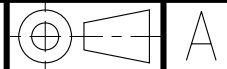


COPY

ELECTRICAL CHARACTERISTICS	
CENTER FREQUENCY(f_0)	1880, 1960 MHz
3 dB BANDWIDTH	75 MHz NOM.
1 dB PASSBAND	60 MHz MIN
PASSBAND LOSS	< 2.0 dB MAX
VSWR	1.7:1 TYP
REJECTION $f_0=1880$:	
@ 1920 MHz	10 dB
1930-1990 MHz	18 dB
REJECTION $f_0=1960$:	
@ 1920 MHz	10 dB
1850-1910 MHz	18 dB



Confidential and Proprietary information of ComNav Engineering Inc. Do Not Duplicate or Use Without Permission. ComNav Engineering Inc. claims Copyright in this document as of the Creation, last revision, and last updated dates. All Rights Reserved.



NOTES:

FOR RECOMMENDED FOOTPRINT SEE FP0072.
 RECOMMENDED ATTACHMENT METHOD: SILVER EPOXY
 OR REFLOW NOT TO EXCEED AS INDICATED BELOW:

TEMP.(°C) MAX.TIME(SEC)

215	90
230	60
245	30
260	15

ENGLISH / METRIC	CHECKED BY					
ENGLISH						
TOLERANCES UNLESS OTHERWISE SPECIFIED	DRAWN BY	A	27DEC01	MJG	DEV.	GEN. REV. PER 1809
MACHINED SURFACES TO BE 125 OR BETTER	ENGINEER	II	06DEC01	MJG	DEV.	INI. ISS. PER 1806
REMOVE ALL BURRS	ENGINEER	REV	DATE	BY	DCN No.	REMARKS
ENGLISH (INCHES)	METRIC (MM)	SCALE	APPLIC: CERAMIC COAXIAL FILTER			
.XX ±.02	.X ±.25	2:1				
.XXX ±.010	.XX ±.13	DATE	TITLE: 3BCR6C-fo(*)/Z75-LX			
ANGLES ± 0° 30'		27DEC01				
	FINISH:	BOARD: NI/AU PLATED COPPER				DRAWING No.
		JACKET: NI/SILVER RESONATOR: SILVER				0L0383
					SHEET OF	1 1