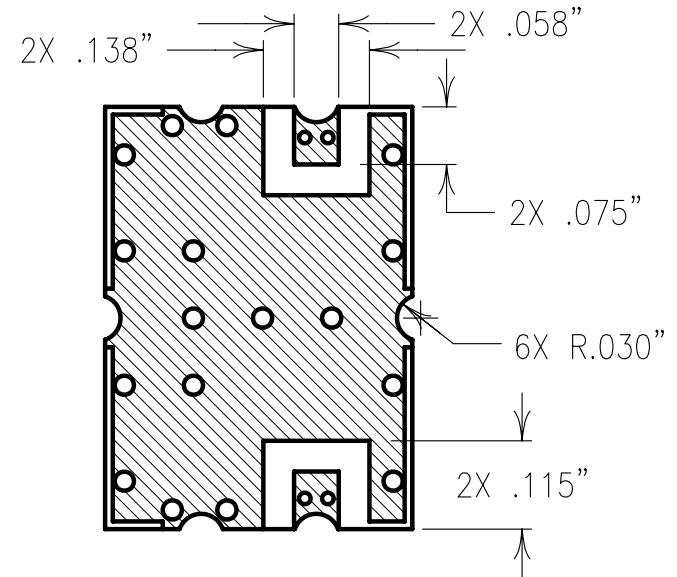
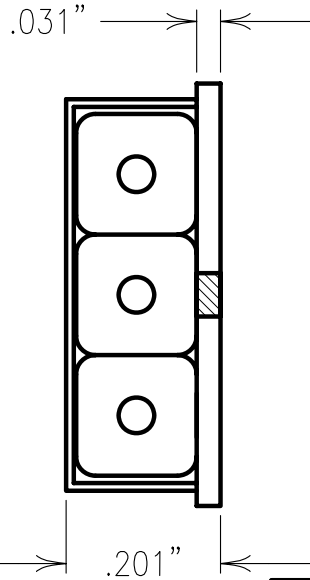
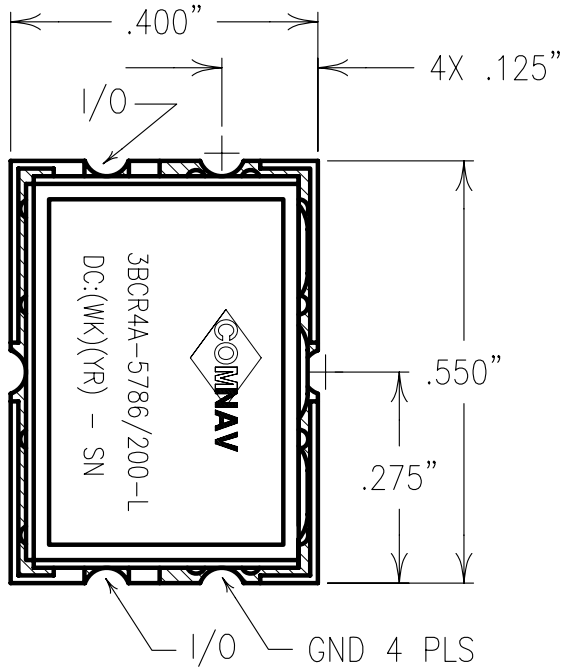
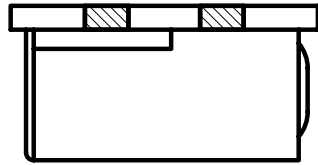


2

1

ELECTRICAL CHARACTERISTICS	
Center Frequency	5786 MHz
3.0 dB Bandwidth	150-300 MHz
PASSBAND	fo ±50MHz
PASSBAND LOSS	<2.0 dB
VSWR(70% of 3dB)	<1.7:1(12 dB)
IMPEDANCE	50 OHMS
REJECTION@2440 MHz	<75 dB
REJECTION@2 fo	<75 dB
DELAY LINEARITY	5 nSEC P-P NOM

**COPY**



Confidential and Proprietary information of ComNav Engineering Inc. Do Not Duplicate or Use Without Permission. ComNav Engineering Inc. claims Copyright in this document as of the Creation, last revision, and last updated dates. All Rights Reserved.

NOTES:  
 FOR RECOMMENDED FOOTPRINT SEE FP0007.  
 RECOMMENDED ATTACHMENT METHOD: SILVER EPOXY  
 OR REFLOW NOT TO EXCEED AS INDICATED BELOW:  
 TEMP.(°C) MAX.TIME(SEC)

215	90
230	60
245	30
260	15

ENGLISH / METRIC	CHECKED BY						
ENGLISH							
TOLERANCES UNLESS OTHERWISE SPECIFIED	DRAWN BY	A	22FEB02	PBF	DEV.	GEN. REV. PER 1857	
MACHINED SURFACES TO BE 125 / OR BETTER	ENGINEER	II	27NOV01	MJG	DEV.	INI. ISS. PER 1792	
REMOVE ALL BURRS	ENGINEER	REV	DATE	BY	DCN No.	REMARKS	
ENGLISH (INCHES)	METRIC (MM)	SCALE	APPLIC: CERAMIC COAXIAL FILTER				
.XX ±.02	.X ±.50	4:1	TITLE: 3BCR4A-5786/200-L				
.XXX ±.010	.XX ±.25	DATE	25FEB02				
ANGLES ± 0° 30'			FINISH:		DRAWING No.		SHEET OF
COMNAV ENGINEERING INC.		BOARD: NI/AU PLATED COPPER JACKET: NI/SILVER RESONATOR: SILVER			0L0376		1 1