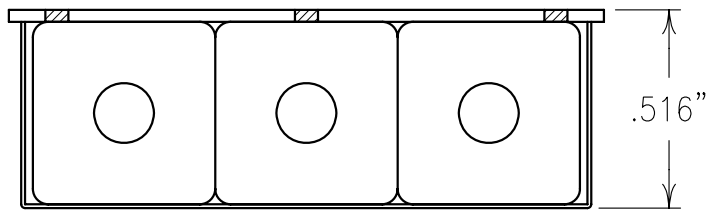


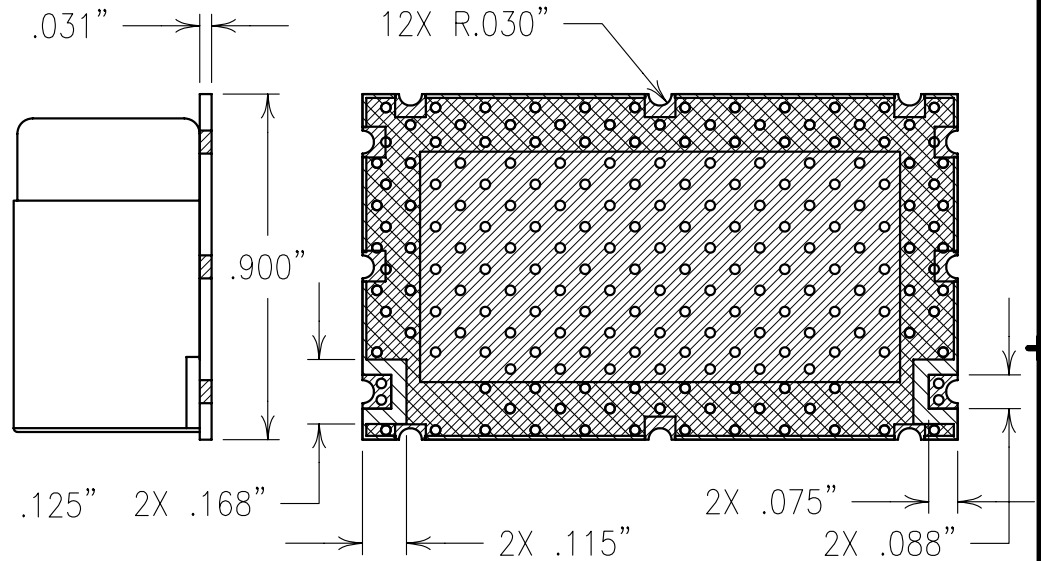
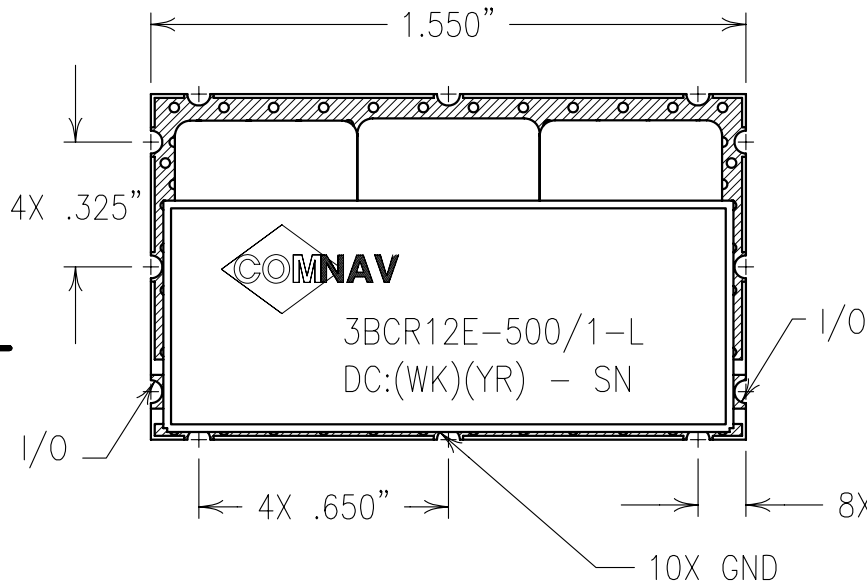
2

1



COPY

ELECTRICAL CHARACTERISTICS	
CENTER FREQUENCY	500 MHz
3 dB BANDWIDTH	1 MHz MIN
LOSS @ fo	< 10.0 dB
VSWR	< 1.5:1
REJECTION:	
10 dB	fo ±1 MHz
23 dB	fo ±2 MHz
100 dB	fo ±100 MHz



NOTES:

FOR RECOMMENDED FOOTPRINT SEE FP0068.

RECOMMENDED ATTACHMENT METHOD: SILVER EPOXY OR REFLOW NOT TO EXCEED AS INDICATED BELOW:

TEMP.(°C)MAX.TIME(SEC)

215	90
230	60
245	30
260	15

- COPPER
- SOLDER MASK
- SOLDER MASK OVER COPPER

Confidential and Proprietary information of ComNav Engineering Inc. Do Not Duplicate or Use Without Permission. ComNav Engineering Inc. claims Copyright in this document as of the Creation, last revision, and last updated dates. All Rights Reserved.

ENGLISH / METRIC ENGLISH	CHECKED BY						
TOLERANCES UNLESS OTHERWISE SPECIFIED	DRAWN BY	RME					
MACHINED SURFACES TO BE 125 / OR BETTER REMOVE ALL BURRS	ENGINEER	SWB	REV	DATE	BY	DCN No.	REMARKS
ENGLISH (INCHES)	METRIC (MM)	SCALE	APPLIC: CERAMIC COAXIAL FILTER				
.XX ±.02	.X ±.25	DATE	TITLE: 3BCR12E-500/1-L				
.XXX ±.010	.XX ±.13	20NOV01	DRAWING No. 0L0369				
ANGLES ± 0° 30'	FINISH: BOARD: NI/AU JACKET: NI/SILVER RESONATOR: SILVER		SHEET OF 1 1				