

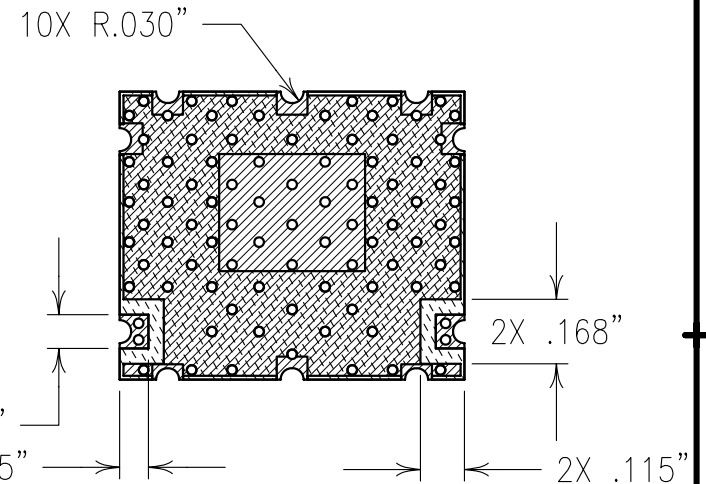
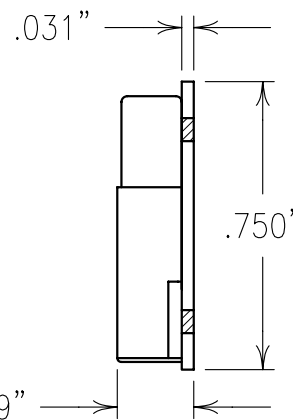
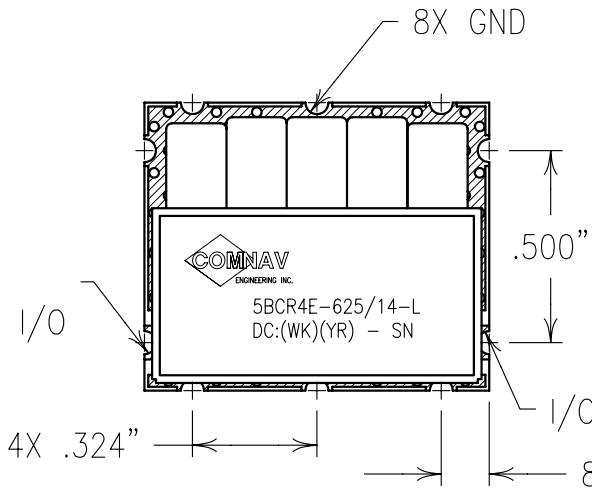
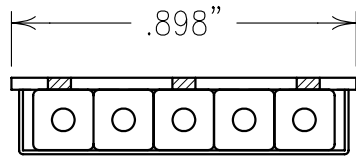
2

1

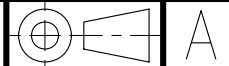
ELECTRICAL CHARACTERISTICS

CENTER FREQUENCY	625 MHz
3dB BANDWIDTH	14 ±0.5 MHz
LOSS @ fo	< 5.0 dB
VSWR	1.5:1 TYP
IMPEDANCE	50 OHMS
REJECTION:	
DC-581 MHz	>60 dB
OPERATING TEMP.	-45 TO 85C

COPY



Confidential and Proprietary information of ComNav Engineering Inc. Do Not Duplicate or Use Without Permission. ComNav Engineering Inc. claims Copyright in this document as of the Creation, last revision, and last updated dates. All Rights Reserved.



NOTES:

FOR RECOMMENDED FOOTPRINT SEE FP0067.

RECOMMENDED ATTACHMENT METHOD: SILVER EPOXY OR REFLOW NOT TO EXCEED AS INDICATED BELOW:

TEMP.(°C) MAX.TIME(SEC)

215	90
230	60
245	30
260	15

- COPPER
- SOLDER MASK
- SOLDER MASK OVER COPPER

ENGLISH / METRIC ENGLISH	CHECKED BY				
TOLERANCES UNLESS OTHERWISE SPECIFIED MACHINED SURFACES TO BE 125 / OR BETTER REMOVE ALL BURRS	DRAWN BY RME				
	ENGINEER SWB	II	06NOV01	TW	DEV. INI. ISS. PER 1771
	REV	DATE	BY	DCN No.	REMARKS
ENGLISH (INCHES) .XX ±.02 .XXX ±.010	METRIC (MM) .X ±.25 .XX ±.13	SCALE 2:1	APPLIC: CERAMIC COAXIAL FILTER		
ANGLES ± 0° 30'	DATE 16NOV01	TITLE: 5BCR4E-625/14-L			
	FINISH: BOARD: NI/AU PLATED COPPER JACKET: NI/SILVER RESONATOR: SILVER	DRAWING No. 0L0368		SHEET OF 1 1	