

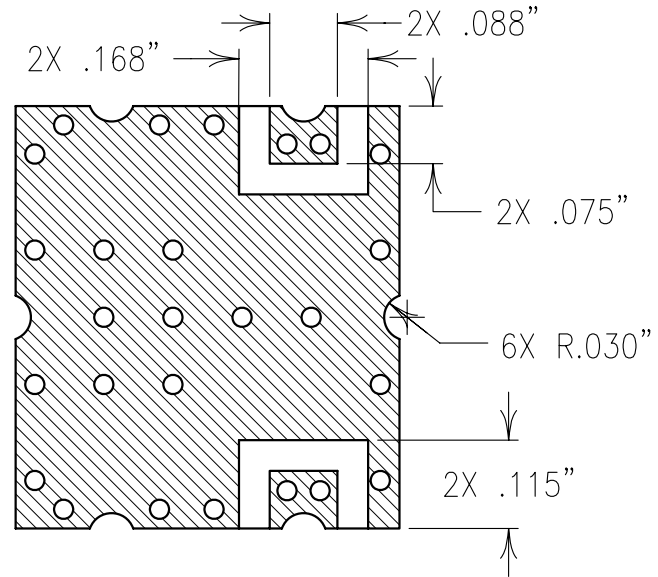
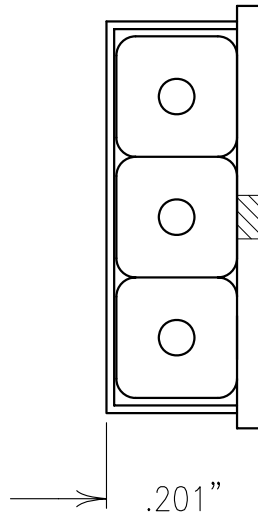
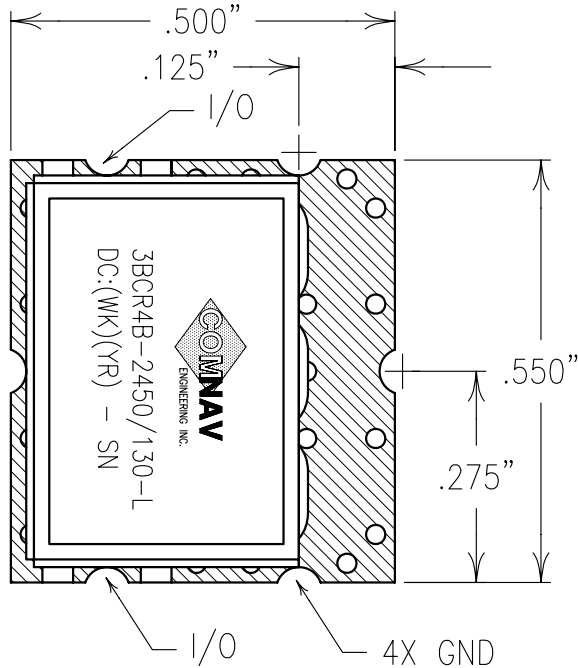
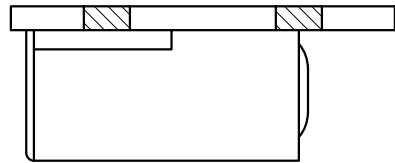
2

1

ELECTRICAL CHARACTERISTICS

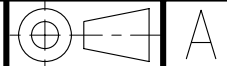
CENTER FREQUENCY	2450 MHz
3.0 dB BANDWIDTH	130 MHz
PASSBAND	fo ±50 MHz
PASSBAND LOSS	<1.5 dB
VSWR(80% OF 3 dB)	1.5:1 GOAL (<1.7:1 MIN)
IMPEDANCE	50 OHMS
REJECTION:	
DC-1900 MHz	50 dB MIN
2700-3000 MHz	33 dB MIN
3000-3400 MHz	50 dB MIN
3400-6000 MHz	30 dB MIN
DELAY LINEARITY	<2 nsec (PK-PK) TYP

COPY



NOTES:
FOR RECOMMENDED FOOTPRINT SEE FP0009.

Confidential and Proprietary information of ComNav Engineering Inc. Do Not Duplicate or Use Without Permission. ComNav Engineering Inc. claims Copyright in this document as of the Creation, last revision, and last updated dates. All Rights Reserved.



ENGLISH / METRIC ENGLISH	CHECKED BY	B	29OCT01	TW	DEV.	GEN. REV. PER 1764
TOLERANCES UNLESS OTHERWISE SPECIFIED	DRAWN BY	A	29OCT01	TW	DEV.	GEN. REV. PER 1761
MACHINED SURFACES TO BE 125 / OR BETTER	ENGINEER	II	29OCT01	TW	DEV.	INI. ISS. PER 1759
REMOVE ALL BURRS	SWB	REV	DATE	BY	DCN No.	REMARKS

ENGLISH (INCHES)	METRIC (MM)	SCALE 4:1	APPLIC: CERAMIC COAXIAL FILTER
.XX ±.02	.X ±.25	DATE 29OCT01	TITLE: 3BCR4B-2450/130-L
.XXX ±.010	.XX ±.13		
ANGLES ± 0° 30'			

	FINISH:	BOARD: NI/AU PLATED COPPER	DRAWING No.	SHEET OF 1 1
		JACKET: NI/SILVER RESONATOR: SILVER	0L0365	