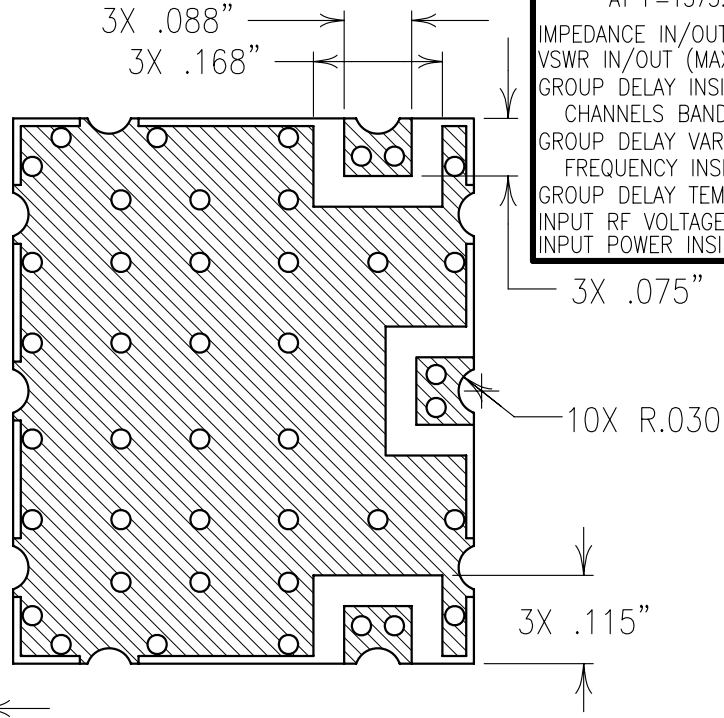
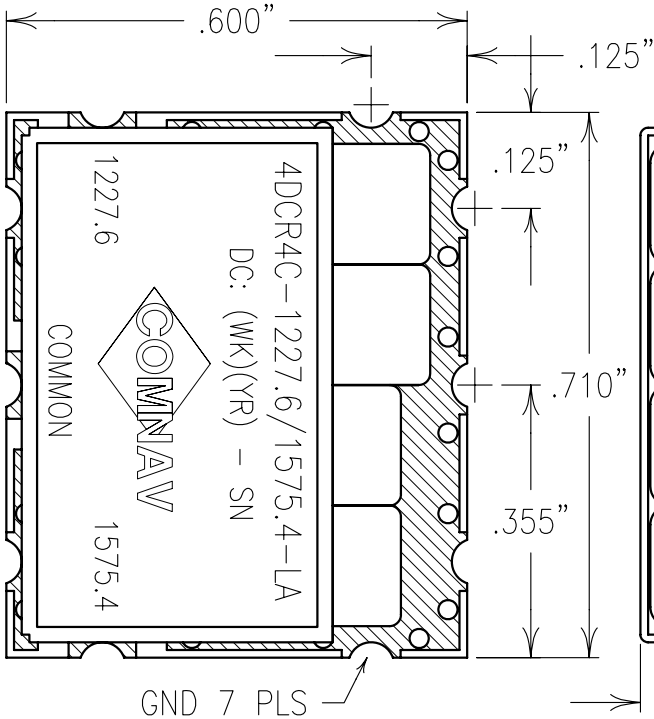
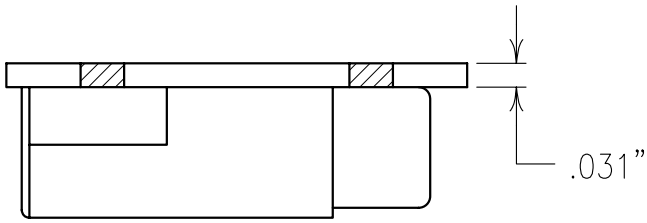


2

1

**COPY**



| ELECTRICAL CHARACTERISTICS                            |                  |            |
|---|------------------|------------|
|   | CHANNEL 1        | CHANNEL 2  |
| CENTER FREQUENCY                                      | 1227.6 MHz       | 1575.4 MHz |
| BANDWIDTH(MIN)  | ≥ ±10 MHz        | ≥ ±10 MHz  |
| INSERTION LOSS(MAX)                                   | ≤ 0.7 dB         | ≤ 0.7 dB   |
| RIPPLE INSIDE BW(MAX)                                 | 0.5 dB           | 0.5 dB     |
| OUT OF BAND REJECTION(MIN):                           |                  |            |
| -AT Fo ±50 MHz:                                       | ≥ 5 dB           | ≥ 5 dB     |
| -AT Fo ±75 MHz:                                       | ≥ 12 dB          | ≥ 12 dB    |
| -AT Fo ±300 MHz:                                      | ≥ 33 dB          | ≥ 33 dB    |
| -AT F=1227.6 MHz:                                     | -                | ≥ 40 dB    |
| -AT F=1575.4 MHz:                                     | ≥ 35 dB          | -          |
| IMPEDANCE IN/OUT(NOM)                                 | 50 OHM           |            |
| VSWR IN/OUT (MAX)                                     | 2.0:1            |            |
| GROUP DELAY INSIDE BOTH CHANNELS BANDWIDTH(MAX)       | ≤ 15 ns          |            |
| GROUP DELAY VARIATION VERSUS FREQUENCY INSIDE BW(max) | ≤ 3 ns peak-peak |            |
| GROUP DELAY TEMP. GRAD.(MAX)                          | ≤ T.B.D. ps/°C   |            |
| INPUT RF VOLTAGE                                      | 1000 V RMS       |            |
| INPUT POWER INSIDE BW                                 | 30 dBm           |            |

Confidential and Proprietary information of ComNav Engineering Inc. Do Not Duplicate or Use Without Permission. ComNav Engineering Inc. claims Copyright in this document as of the Creation, last revision, and last updated dates. All Rights Reserved.

NOTES:

FOR RECOMMENDED FOOTPRINT SEE FP0002.  
 RECOMMENDED ATTACHMENT METHOD: SILVER EPOXY  
 OR REFLOW NOT TO EXCEED AS INDICATED BELOW:

| TEMP.(°C) | MAX. TIME(SEC) |
|-----------|----------------|
| 215       | 90             |
| 230       | 60             |
| 245       | 30             |
| 260       | 15             |

FILTER IS ROHS COMPLIANT.  
 FILTER MAY BE ETCHED OR LABELED.

|  |  |     |         |     |         |                    |
|--|--|-----|---------|-----|---------|--------------------|
| ENGLISH / METRIC<br>ENGLISH                              | CHECKED BY   |     |         |     |         |                    |
| TOLERANCES UNLESS OTHERWISE SPECIFIED                    | DRAWN BY   | A   | 09AUG06 | MJG | DEV.    | GEN. REV. PER 2547 |
| MACHINED SURFACES TO BE 125 / OR BETTER REMOVE ALL BURRS | ENGINEER   | II  | 19OCT01 | TW  | DEV.    | INI. ISS. PER 1752 |
| ENGLISH (INCHES)   | SCALE  | REV | DATE    | BY  | DCN No. | REMARKS            |
| .XX ±.02<br>.XXX ±.010                                   | 4:1  |     |         |     |         |                    |
| METRIC (MM)  | APPLIC:  |     |         |     |         |                    |
| .X ±.5<br>.XX ±.25                                       | CERAMIC COAXIAL FILTER   |     |         |     |         |                    |
| ANGLES ± 0° 30'  | TITLE:   |     |         |     |         |                    |
|  | 4DCR4C-1227.6/1575.4-LA  |     |         |     |         |                    |
|  | FINISH: BOARD: NI/GOLD<br>JACKET: NI/SILVER<br>RESONATOR: SILVER |     |         |     |         |                    |
|  | DRAWING No.  |     |         |     |         |                    |
|  | 0L0363   |     |         |     |         |                    |
|  |  |     |         |     |         | SHEET OF 1 1       |