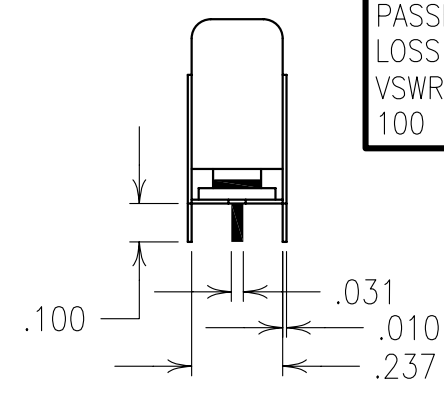
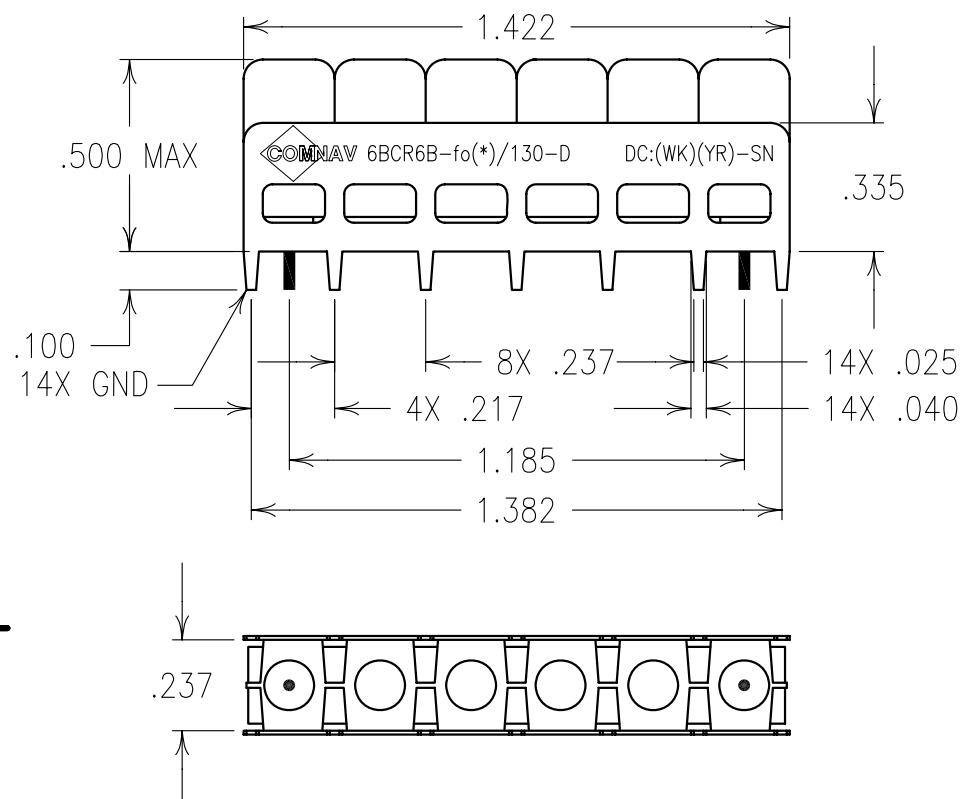


ELECTRICAL CHARACTERISTICS	
CENTER FREQ fo(*)	1795, 2250 MHz
3 dB BANDWIDTH	130 MHz NOM
PASSBAND	fo ±55 MHz
LOSS AT fo	<2.5 dB
VSWR	<1.7:1 TYP
100 dB REJECTION	fo ±545 MHz



**COPY**

NOTES:  
 FOR RECOMMENDED FOOTPRINT SEE FP0043.  
 MAX REFLOW TEMP. 240°C FOR 30 SEC.,  
 OR 260°C FOR 15 SEC.

Confidential and Proprietary information of ComNav Engineering Inc. Do Not Duplicate or Use Without Permission. ComNav Engineering Inc. claims Copyright in this document as of the Creation, last revision, and last updated dates. All Rights Reserved.						A
ENGLISH / METRIC ENGLISH	CHECKED BY					
TOLERANCES UNLESS OTHERWISE SPECIFIED	DRAWN BY RME					
MACHINED SURFACES TO BE 125 OR BETTER	ENGINEER MJG	II	27SEP01	TW	DEV.	INI. ISS. PER 1731
REMOVE ALL BURRS	REV	DATE	BY	DCN No.	REMARKS	
ENGLISH (INCHES) .XX ±.02 .XXX ±.010	METRIC (MM) .X ±.25 .XX ±.13	SCALE 2:1	APPLIC: CERAMIC COAXIAL FILTER			
ANGLES ± 0° 30'	DATE 27SEP01	TITLE: 6BCR6B-fo(*)/130-D				
	FINISH: JACKET: NI/SILVER RESONATOR: SILVER PINS: TIN PLATED BRASS	DRAWING No. OL0357		SHEET OF 1 1		