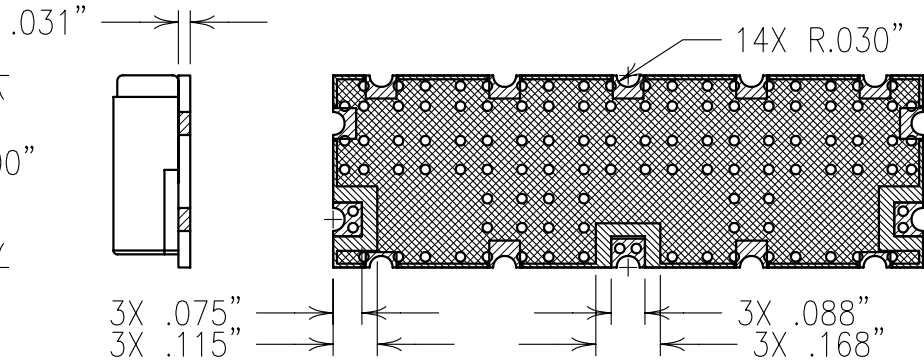
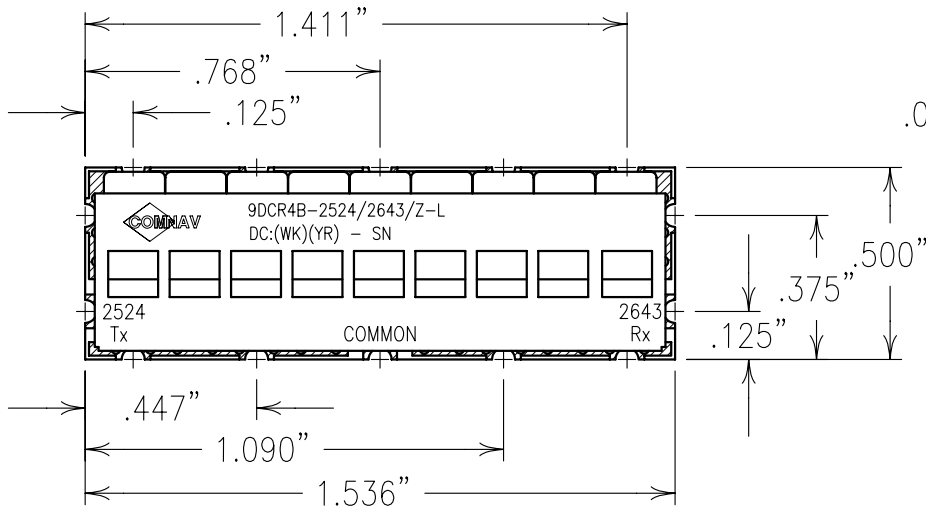
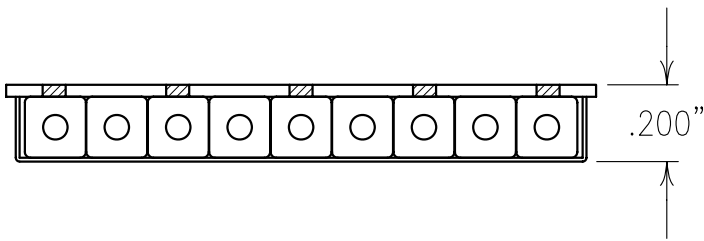


2

1



COPY

SOLDER MASK

Confidential and Proprietary information of ComNav Engineering Inc. Do Not Duplicate or Use Without Permission. ComNav Engineering Inc. claims Copyright in this document as of the Creation, last revision, and last updated dates. All Rights Reserved.

NOTES:

ALL DIVITS ARE GROUND UNLESS MARKED OTHERWISE (COMMON,2524,2643).

FOR RECOMMENDED FOOTPRINT SEE FP0060.

ENGLISH / METRIC ENGLISH	CHECKED BY						
TOLERANCES UNLESS OTHERWISE SPECIFIED	DRAWN BY RME						
MACHINED SURFACES TO BE 125/ OR BETTER REMOVE ALL BURRS	ENGINEER MJG	II	13SEP01	MJG	DEV.		INI. ISS. PER 1727
ENGLISH (INCHES) XX ±.02 XXX ±.010	METRIC (MM) X ±.25 XX ±.13	SCALE 2:1	APPLIC: CERAMIC COAXIAL FILTER				
ANGLES ± 0° 30'	DATE 18SEP01	TITLE: 9DCR4B-2524/2643/Z-L					

	FINISH: BOARD: NI/AU PLATED COPPER JACKET: NI/SILVER RESONATOR: SILVER	DRAWING No. 0L0350	SHEET OF 1 1
--	---	-----------------------	-----------------