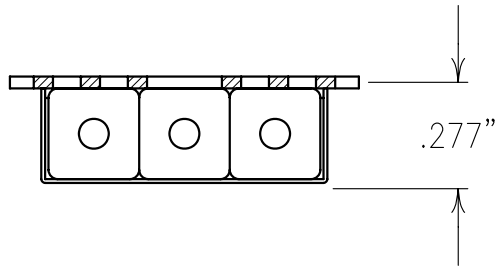


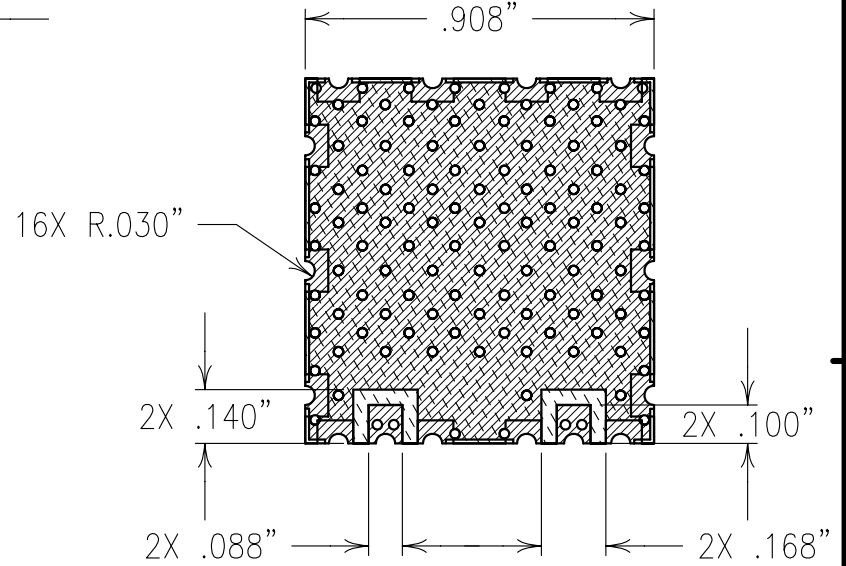
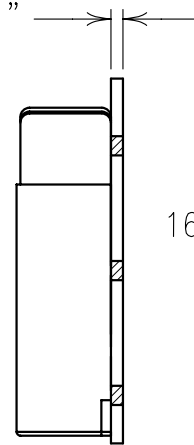
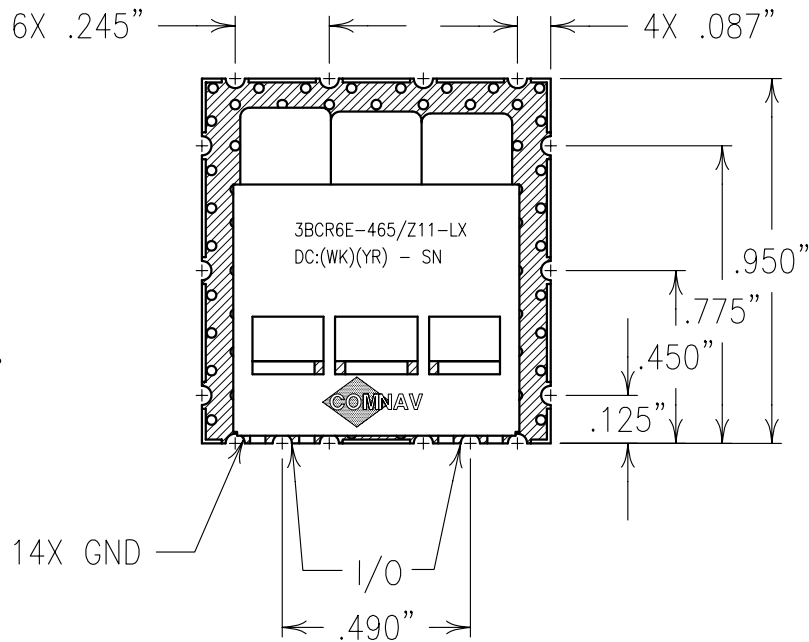
2

1

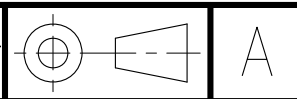


COPY

ELECTRICAL CHARACTERISTICS	
CENTER FREQUENCY	464.3 MHz
3 dB BANDWIDTH	11.5 MHz NOM.
PASSBAND	461.3-467.5 MHz
PASSBAND FLATNESS	<0.7 dB MAX
LOSS @ 464.3 MHz	<1.5 dB
VSWR:	1.5:1 TYP
REJECTION:	
DC-457.1 MHz	>13 dBc
OPERATING TEMP.	-45 TO +80 C



Confidential and Proprietary information of ComNav Engineering Inc.
Do Not Duplicate or Use Without Permission. ComNav Engineering Inc.
claims Copyright in this document as of the Creation, last revision,
and last updated dates. All Rights Reserved.



NOTES:

FOR RECOMMENDED FOOTPRINT SEE FP0051.
RECOMMENDED ATTACHMENT METHOD: SILVER EPOXY
OR REFLOW NOT TO EXCEED AS INDICATED BELOW:

TEMP.(°C)	MAX.TIME(SEC)
215	90
230	60
245	30
260	15

ENGLISH / METRIC ENGLISH		CHECKED BY					
TOLERANCES UNLESS OTHERWISE SPECIFIED MACHINED SURFACES TO BE 125/ OR BETTER REMOVE ALL BURRS	ENGLISH (INCHES)	METRIC (MM)	SCALE	APPLIC: CERAMIC COAXIAL FILTER			
	.XX ±.02 .XXX ±.010	.X ±.25 .XX ±.13	2:1	DATE	TITLE:	SHEET NO/OF	
	ANGLES ± 0° 30'		28NOV01	28NOV01	3BCR6E-465/Z11-LX	1	1
FINISH: BOARD: NI/AU PLATED COPPER JACKET: NI/SILVER RESONATOR: SILVER			DRAWING No.		0L0342		

