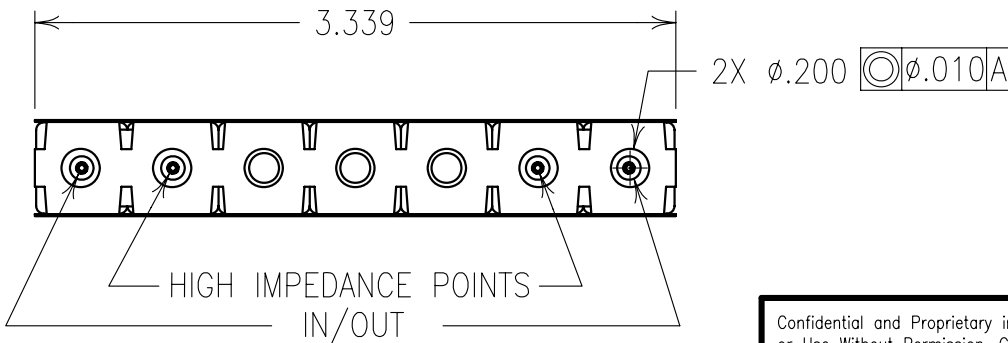
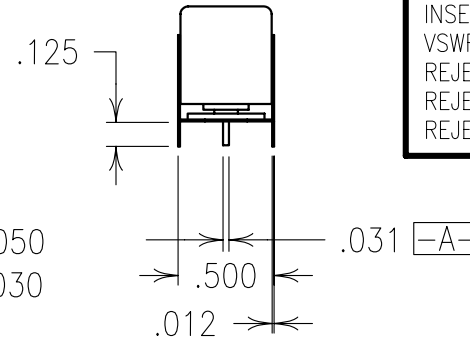
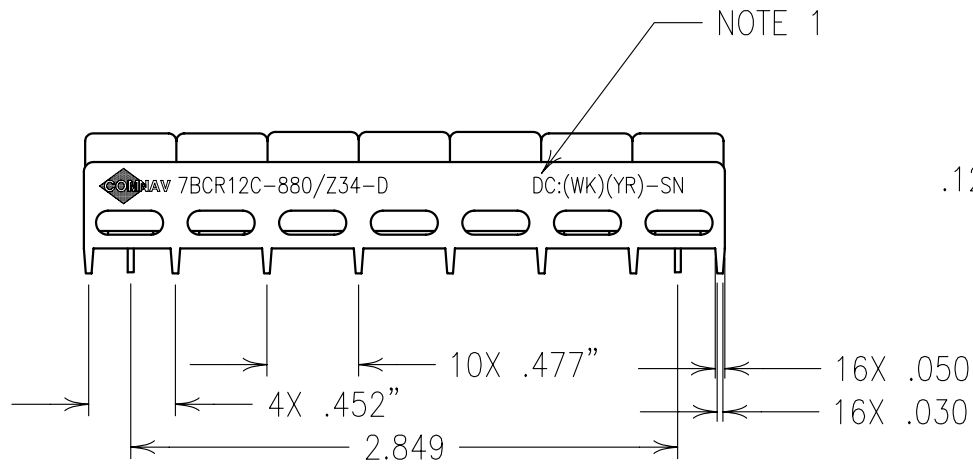


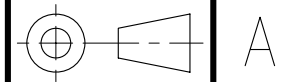
ELECTRICAL SPECIFICATIONS

CENTER FREQUENCY	880 Mhz
PASSBAND	869 - 894 Mhz
3dB PASSBAND	34 Mhz nom.
INSERTION LOSS (dB)	≤2.5
VSWR	≤1.5:1
REJECTION (dB)	≥ 30 @ 849 - 859 Mhz
REJECTION (dB)	≥40 @ 914 - 3X _{Fo} Mhz
REJECTION (dB)	≥60 @ DC - 849 Mhz



COPY

Confidential and Proprietary information of ComNav Engineering Inc. Do Not Duplicate or Use Without Permission. ComNav Engineering Inc. claims Copyright in this document as of the Creation, last revision, and last updated dates. All Rights Reserved.



NOTES:

1) DC: IS ON ONE SIDE ONLY.

ENGLISH / METRIC ENGLISH	CHECKED BY				
TOLERANCES UNLESS OTHERWISE SPECIFIED MACHINED SURFACES TO BE 125/ OR BETTER REMOVE ALL BURRS	DRAWN BY RME	II	17JUL01	TW	DEV.
ENGLISH (INCHES) .XX ±.02 .XXX ±.010	ENGINEER MJG	REV	DATE	BY	DCN No.
METRIC (MM) .X ±.25 .XX ±.13	SCALE 1:1	APPLIC: CERAMIC COAXIAL FILTER			
ANGLES ± 0° 30'	DATE 24JUL01	TITLE: 7BCR12C-880/Z34-D			SHEET NO/OF 1 1
COMNAV ENGINEERING INC.	FINISH: JACKET: NI/SIL RESONATORS: NI/SIL PINS: TIN PLATED BRASS	DRAWING No. 0L0341			

B

A