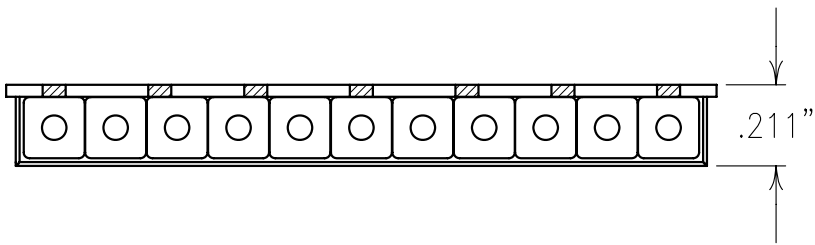


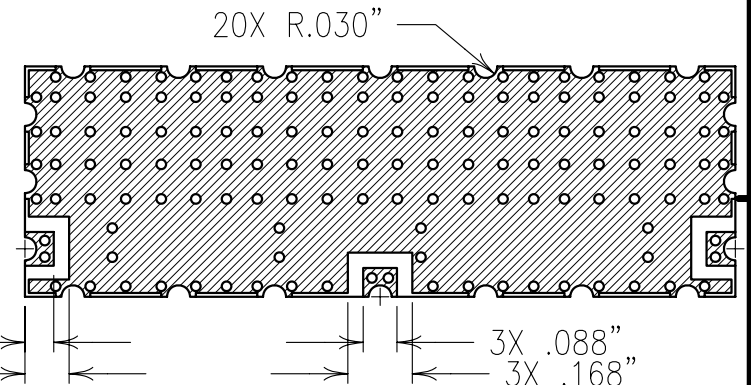
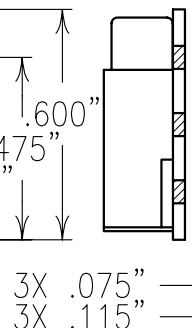
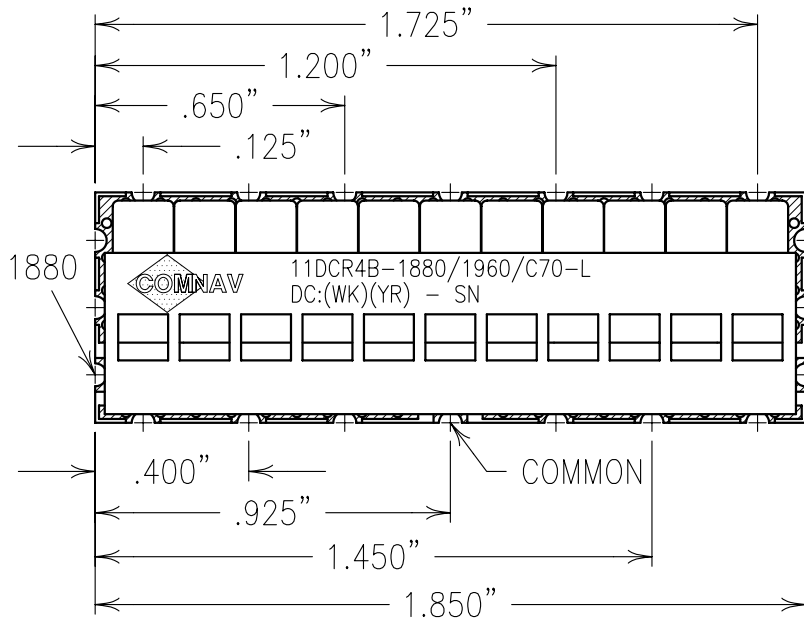
2

1



ELECTRICAL CHARACTERISTICS		
	CHANNEL1	CHANNEL2
CENTER FREQUENCY(MHz)	1880	1960
PASSBAND(MHz)	1850-1960	1960-1990
PASSBAND LOSS(dB)	<4.0	<4.0
PASSBAND FLATNESS(dB)	<2.2	<2.2
PASSBAND VSWR	<1.7:1	<1.7:1
ATTENUATION		
DC-1800 MHz	>45 dBc	
1960-3000 MHz	>45 dBc	
DC-1910 MHz		>45 dBc
2075-3000 MHz		>45 dBc
OPERATING TEMP.		-40 TO +85°C

COPY



NOTES:
 ALL DIVITS ARE GROUND UNLESS MARKED OTHERWISE (COMMON, 1880, 1960).
 FOR RECOMMENDED FOOTPRINT SEE FP0020.

Confidential and Proprietary information of ComNav Engineering Inc. Do Not Duplicate or Use Without Permission. ComNav Engineering Inc. claims Copyright in this document as of the Creation, last revision, and last updated dates. All Rights Reserved.

ENGLISH / METRIC ENGLISH	CHECKED BY								
TOLERANCES UNLESS OTHERWISE SPECIFIED MACHINED SURFACES TO BE 125/ OR BETTER REMOVE ALL BURRS	DRAWN BY RME	II	13JUN01	KJR	DEV.	INI. ISS. PER 1648			
ENGLISH (INCHES) .XX ±.02 .XXX ±.01 ANGLES ± 0° 30'	METRIC (MM) .X ±.25 .XX ±.13	ENGINEER KJR	REV	DATE	BY	DCN No.	REMARKS		
SCALE 2:1	DATE 18JUN01	APPLIC: CERAMIC COAXIAL FILTER							
		TITLE: 11DCR4B-1880/1960/C70-L							
FINISH: BOARD: TIN PLATED COPPER JACKET: NI/SILVER RESONATOR: SILVER						DRAWING No. 010335		SHEET OF 1 1	