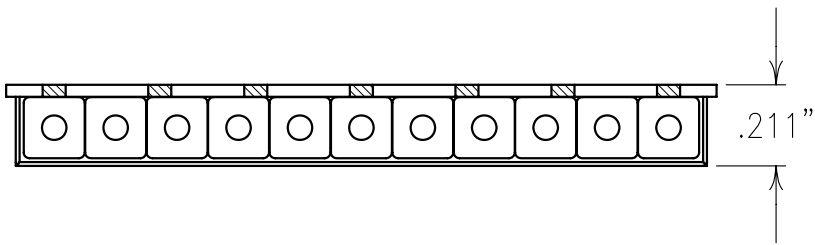


2

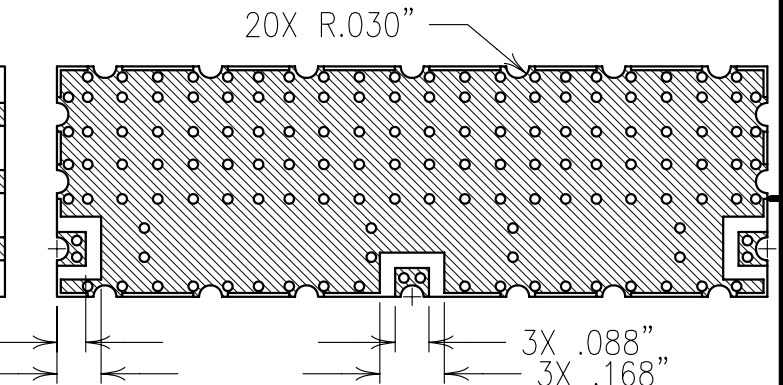
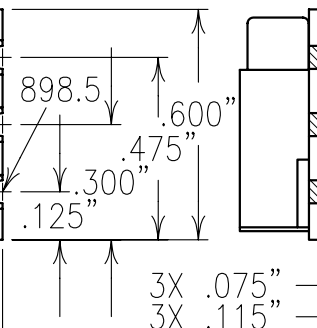
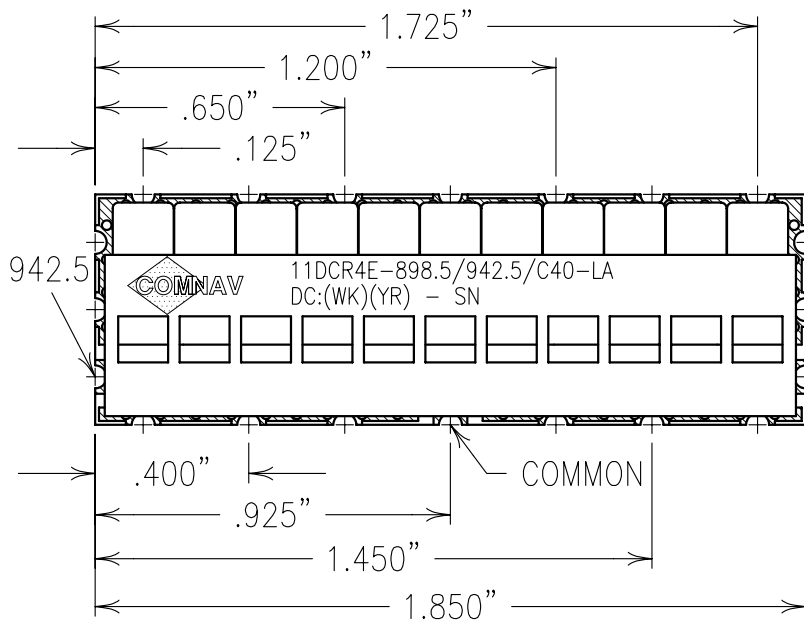
1



**COPY**

ELECTRICAL CHARACTERISTICS

	CHANNEL1	CHANNEL2
CENTER FREQUENCY(MHz)	898.5	942.5
PASSBAND(MHz)	880-915	925-960
PASSBAND LOSS(dB)	<5.0	<5.0
PASSBAND FLATNESS(dB)	<3.0	<3.0
PASSBAND VSWR	<1.7:1	<1.7:1
ATTENUATION		
DC-850 MHz	>45 dBc	
925-2600 MHz	>42 dBc	
DC-915 MHz		>42 dBc
1005-2600 MHz		>45 dBc
OPERATING TEMP.		-40 TO +85°C



NOTES:

ALL DIVITS ARE GROUND UNLESS MARKED OTHERWISE (COMMON, 898.5, 942.5).

FOR RECOMMENDED FOOTPRINT SEE FP0020.

Confidential and Proprietary information of ComNav Engineering Inc. Do Not Duplicate or Use Without Permission. ComNav Engineering Inc. claims Copyright in this document as of the Creation, last revision, and last updated dates. All Rights Reserved.

ENGLISH / METRIC ENGLISH	CHECKED BY					
TOLERANCES UNLESS OTHERWISE SPECIFIED	DRAWN BY	A	26SEP01	TW	DEV.	GEN. REV. PER 1730
MACHINED SURFACES TO BE 125/ OR BETTER REMOVE ALL BURRS	ENGINEER	II	13JUN01	KJR	DEV.	INI. ISS. PER 1648
ENGLISH (INCHES)	METRIC (MM)	SCALE	APPLIC: CERAMIC COAXIAL FILTER			
.XX ±.02 .XXX ±.010	.X ±.25 .XX ±.13	2:1	TITLE: 11DCR4E-898.5/942.5/C40-LA			
ANGLES ± 0° 30'	DATE	27SEP01	REMARKS			

**COMNAV** ENGINEERING INC. FINISH: BOARD: NI/AU PLATED COPPER JACKET: NI/SILVER RESONATOR: SILVER DRAWING No. 010333 SHEET OF 1 1