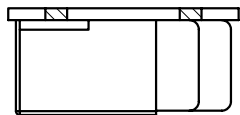


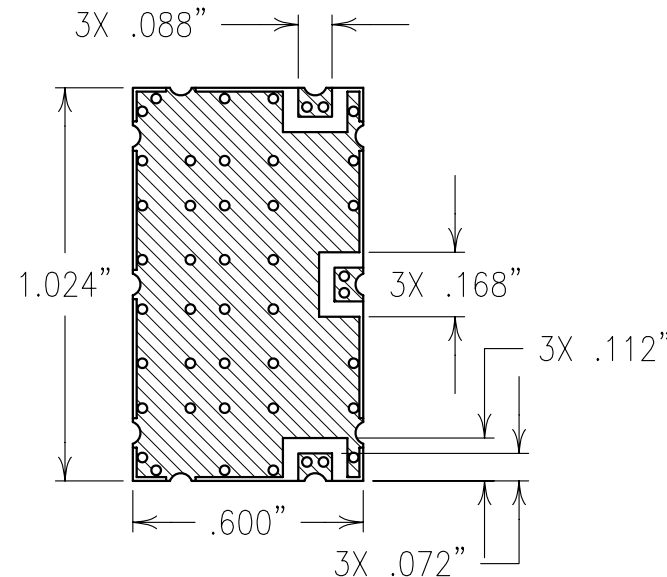
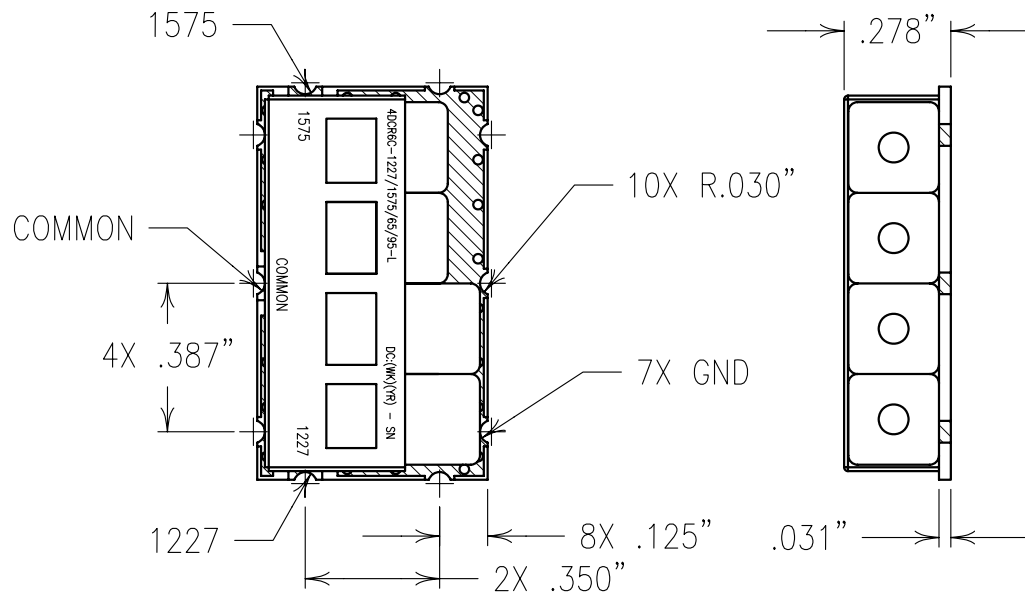
2

1

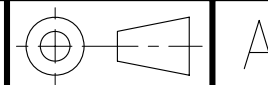


**COPY**

ELECTRICAL CHARACTERISTICS		
	L1	L2
CENTER FREQUENCY	1575 MHz	1227 MHz
3dB BANDWIDTH	95 MHz NOM	65 MHz NOM
PASSBAND	1520-1585 MHz	1217-1237 MHz
PASSBAND LOSS	<1.5 dB @ 1575 MHz	<1.5 dB @ 1227 MHz
PASSBAND VSWR	1.7:1	1.7:1
ISOLATION	>36 dB	>36 dB



Confidential and Proprietary information of ComNav Engineering Inc. Do Not Duplicate or Use Without Permission. ComNav Engineering Inc. claims Copyright in this document as of the Creation, last revision, and last updated dates. All Rights Reserved.



NOTES:  
 FOR RECOMMENDED FOOTPRINT SEE FP0045.  
 RECOMMENDED ATTACHMENT METHOD: SILVER EPOXY  
 OR REFLOW NOT TO EXCEED AS INDICATED BELOW:

TEMP.(°C)	MAX.TIME(SEC)
215	90
230	60
245	30
260	15

ENGLISH / METRIC ENGLISH	CHECKED BY				
TOLERANCES UNLESS OTHERWISE SPECIFIED MACHINED SURFACES TO BE 125 OR BETTER REMOVE ALL BURRS	DRAWN BY RME				
ENGLISH (INCHES) .XX ±.02 .XXX ±.01	ENGINEER SWB	II	20APR01	SWB	DEV.
METRIC (MM) .X ±.25 .XX ±.13	SCALE 2:1	REV	DATE	BY	DCN No.
ANGLES ± 0° 30'	DATE 26APR01	APPLIC: GPS DIPLEXER			INI. ISS. PER 1605
	FINISH: CARRIER BOARD: NI/AU PLATED COPPER JACKET: NI/SILVER RESONATOR: SILVER	TITLE: 4DCR6C-1227/1575/65/95-L			SHEET NO/OF 1 1
		DRAWING No. 0L0323			