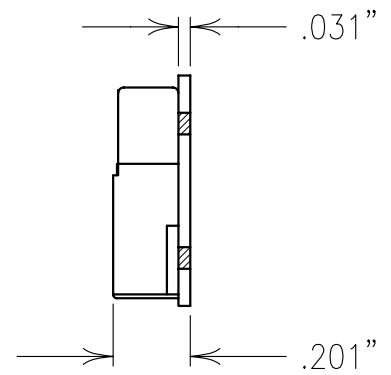
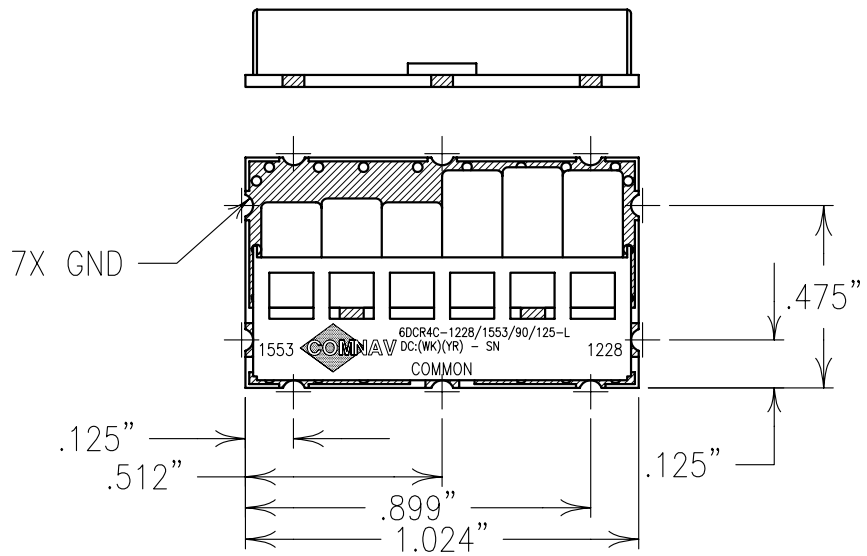
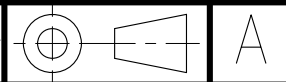


ELECTRICAL CHARACTERISTICS		
SPECIFICATION	L1	L2
CENTER FREQUENCY	1553 MHz	1228 MHz
3 dB BANDWIDTH	125 MHz NOM.	90 MHz NOM.
PASSBAND	1520-1585 MHz	1217-1238 MHz
PASSBAND LOSS	<1.5 dB	<1.5 dB
ISOLATION	>36 dB	>36 dB
PASSBAND VSWR	1.7:1 MAX	1.7:1 MAX

**COPY**



Confidential and Proprietary information of ComNav Engineering Inc. Do Not Duplicate or Use Without Permission. ComNav Engineering Inc. claims Copyright in this document as of the Creation, last revision, and last updated dates. All Rights Reserved.



NOTES:  
 FOR RECOMMENDED FOOTPRINT SEE FP0045.  
 RECOMMENDED ATTACHMENT METHOD: SILVER EPOXY OR REFLOW NOT TO EXCEED AS INDICATED BELOW:

TEMP.(°C)	MAX.TIME(SEC)
215	90
230	60
245	30
260	15

ENGLISH / METRIC ENGLISH		CHECKED BY					
TOLERANCES UNLESS OTHERWISE SPECIFIED MACHINED SURFACES TO BE 125 OR BETTER REMOVE ALL BURRS		DRAWN BY RME	A	25MAY01	RME	DEV.	GEN. REV. PER 1634
		ENGINEER KJR	II	20APR01	SWB	DEV.	INI. ISS. PER 1605
			REV	DATE	BY	DCN No.	REMARKS
ENGLISH (INCHES)	METRIC (MM)	SCALE	APPLIC: CERAMIC COAXIAL FILTER				
.XX ±.02	.X ±.25	2:1	TITLE: 6DCR4C-1228/1553/90/125-L				
XXX ±.01	XX ±.13	DATE	SHEET NO/OF				
ANGLES ± 0° 30'		30MAY01	1 1				
		FINISH:	DRAWING No.			0L0322	
		CARRIER BOARD: NI/AU PLATED COPPER JACKET: NI/SILVER RESONATOR: SILVER					