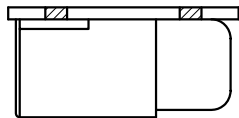


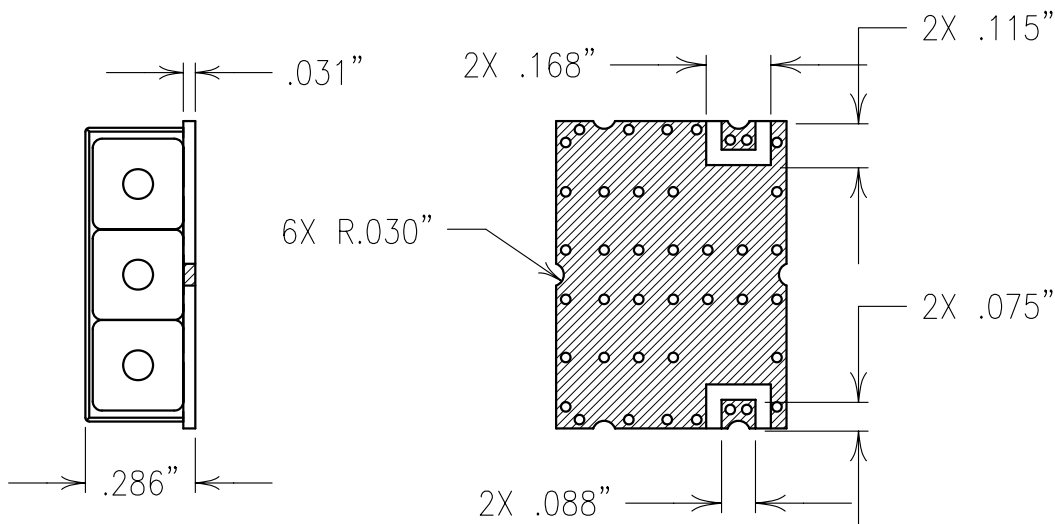
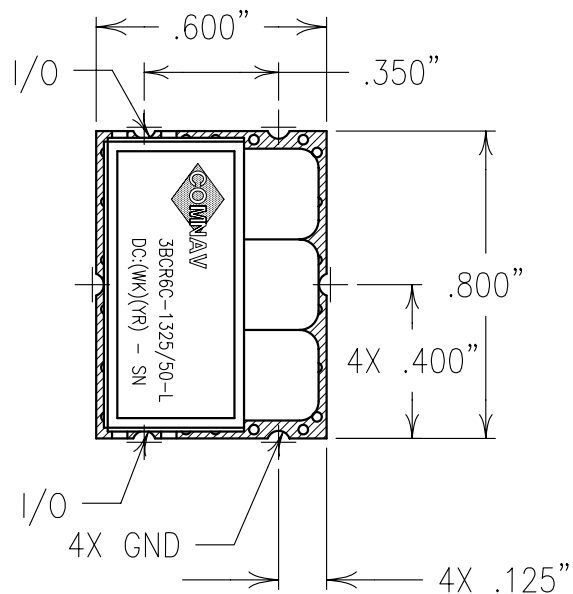
2

1



COPY

ELECTRICAL CHARACTERISTICS	
CENTER FREQUENCY	1325 MHz
3 dB BANDWIDTH	50 MHz NOM.
PASSBAND	1315-1335 MHz
PASSBAND LOSS:	1.0 dB
PASSBAND FLATNESS:	0.25 dB
PASSBAND VSWR:	1.5:1
REJECTION:	
20 dBc	fo ±70 MHz
30 dBc	fo ±95 MHz
50 dBc	fo ±190 MHz
60 dBc	fo ±270 MHz



NOTES:
 FOR RECOMMENDED FOOTPRINT SEE FP0028.
 RECOMMENDED ATTACHMENT METHOD: SILVER EPOXY
 OR REFLOW NOT TO EXCEED AS INDICATED BELOW:
 TEMP.(°C) MAX.TIME(SEC)
 215 90
 230 60
 245 30
 260 15

Confidential and Proprietary information of ComNav Engineering Inc. Do Not Duplicate or Use Without Permission. ComNav Engineering Inc. claims Copyright in this document as of the Creation, last revision, and last updated dates. All Rights Reserved.

ENGLISH / METRIC ENGLISH	CHECKED BY E	14JUL05	PBF	DEV.	GEN. REV. PER 2405
TOLERANCES UNLESS OTHERWISE SPECIFIED	DRAWN BY D	11JUN02	PBF	DEV.	GEN. REV. PER 1904
MACHINED SURFACES TO BE 125 / OR BETTER REMOVE ALL BURRS	ENGINEER C	23MAY02	TLW	DEV.	GEN. REV. PER 1896
	KJR	REV	DATE	BY	DCN No.
ENGLISH (INCHES)	METRIC (MM)	SCALE 2:1	APPLIC: CERAMIC COAXIAL FILTER		
.XX ±.02 .XXX ±.010	.X ±.5 .XX ±.25	DATE 18JUL05	TITLE: 3BCR6C-1325/50-L		
ANGLES ± 0° 30'	FINISH: BOARD: NI/AU PLATED COPPER JACKET: NI/SILVER RESONATOR: SILVER		DRAWING No. 0L0319		SHEET OF 1 1