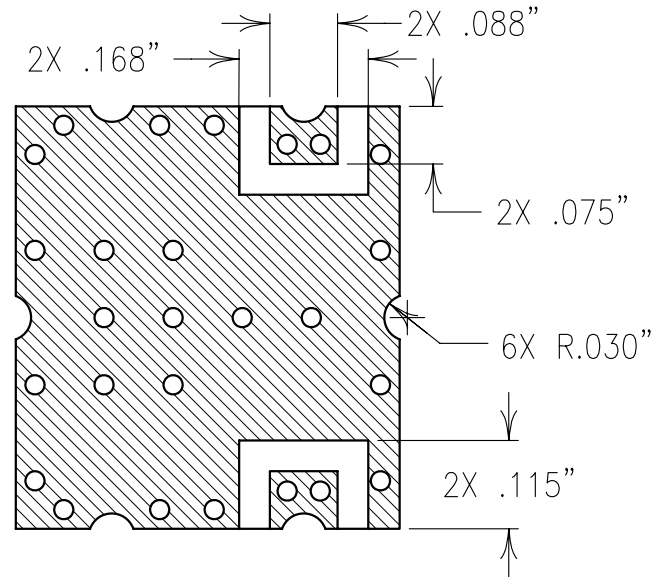
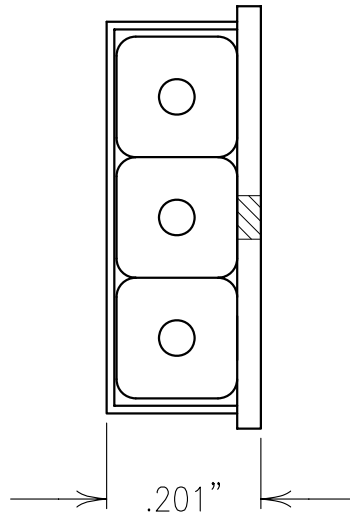
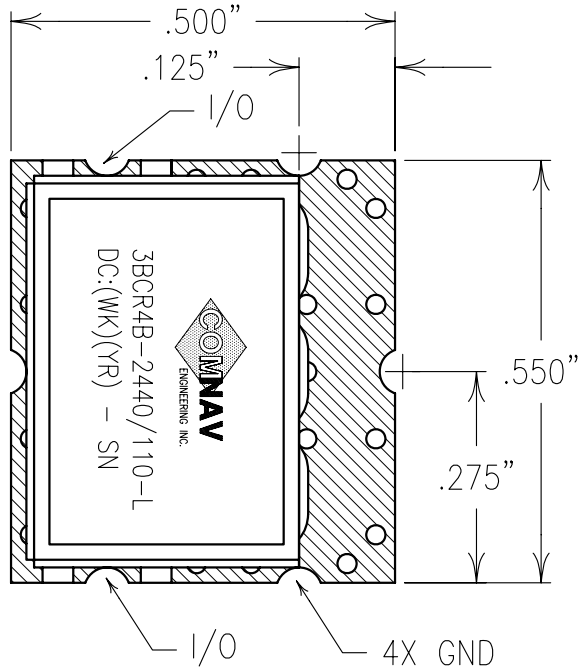
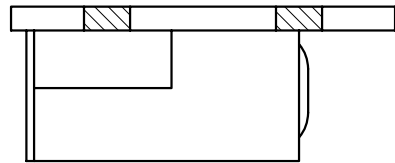


2

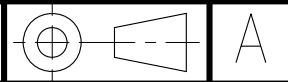
1

ELECTRICAL CHARACTERISTICS	
CENTER FREQUENCY	2440 MHz
3.0 dB BANDWIDTH	110 MHz NOM.
PASSBAND	fo ±40 MHz
PASSBAND LOSS	1.5 dB
VSWR(80% OF 3 dB)	<1.7:1(12 dB NOM)
IMPEDANCE	50 OHMS
REJECTION @ 5768	30 dB
REJECTION @ 2 fo	30 dB
DELAY LINEARITY	6 nSEC P-P NOM

COPY



Confidential and Proprietary information of ComNav Engineering Inc. Do Not Duplicate or Use Without Permission. ComNav Engineering Inc. claims Copyright in this document as of the Creation, last revision, and last updated dates. All Rights Reserved.



NOTES:
FOR RECOMMENDED FOOTPRINT SEE FP0009.

ENGLISH / METRIC ENGLISH		CHECKED BY					
TOLERANCES UNLESS OTHERWISE SPECIFIED MACHINED SURFACES TO BE 125 / OR BETTER REMOVE ALL BURRS		DRAWN BY RME ENGINEER KJR		II	02MAR01	KJR	DEV.
ENGLISH (INCHES) .XX ±.02 .XXX ±.01		METRIC (MM) .X ±.25 .XX ±.13		REV	DATE	BY	DCN No.
ANGLES ± 0° 30'		SCALE 4:1		APPLIC: CERAMIC COAXIAL FILTER			
		DATE 04APR01		TITLE: 3BCR4B-2440/110-L			
FINISH: CARRIER BOARD:TIN PLATED COPPER JACKET:NI/SILVER RESONATOR:SILVER		DRAWING No.		SHEET NO/OF 1 1			
COMNAV ENGINEERING INC.				0L0313			

B

A