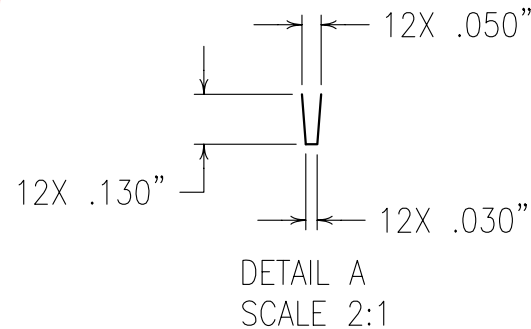
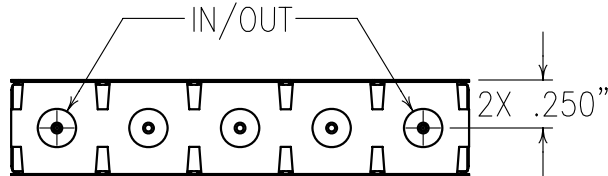
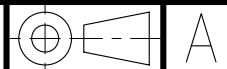


ELECTRICAL SPECIFICATIONS	
CENTER FREQUENCY	1090 MHz
3 dB BANDWIDTH	19 ±1 MHz
LOSS @ fo	<1.9 dB
VSWR	<1.25:1 TYP
IMPEDANCE	50 OHMS
TEMP RANGE	-45 TO +85C
ALTITUDE	50,000 FT
REJECTION:	
80 dBc	DC->1030 MHz
80 dBc	1190->2100 MHz (**)
(**) WAVEGUIDE MODES WILL BEGIN AT ~ 2100 MHz	

**COPY**



Confidential and Proprietary information of ComNav Engineering Inc. Do Not Duplicate or Use Without Permission. ComNav Engineering Inc. claims Copyright in this document as of the Creation, last revision, and last updated dates. All Rights Reserved.



NOTES:

FOR RECOMMENDED FOOTPRINT SEE FP0029.  
DC: IS ON ONE SIDE ONLY.

ENGLISH / METRIC ENGLISH		CHECKED BY					
TOLERANCES UNLESS OTHERWISE SPECIFIED MACHINED SURFACES TO BE 125 / OR BETTER REMOVE ALL BURRS		DRAWN BY RME					
ENGLISH (INCHES) .XX ±.02 .XXX ±.010		METRIC (MM) .X ±.25 .XX ±.13		II	14FEB01	KJR	DEV.
ANGLES ± 0° 30'		SCALE 1:1		REV	DATE	BY	DCN No.
COMNAV ENGINEERING INC.		DATE 19MAR01		APPLIC: CERAMIC COAXIAL FILTER			INI. ISS. PER 1556
FINISH: BOARD: TINPLATED COPPER JACKET: NI/SILVER RESONATOR: SILVER		TITLE: 5BCR12C-1090/20-D				REMARKS	
		DRAWING No. OL0311				SHEET NO/OF 1 1	