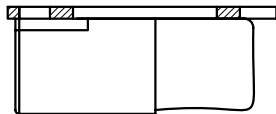


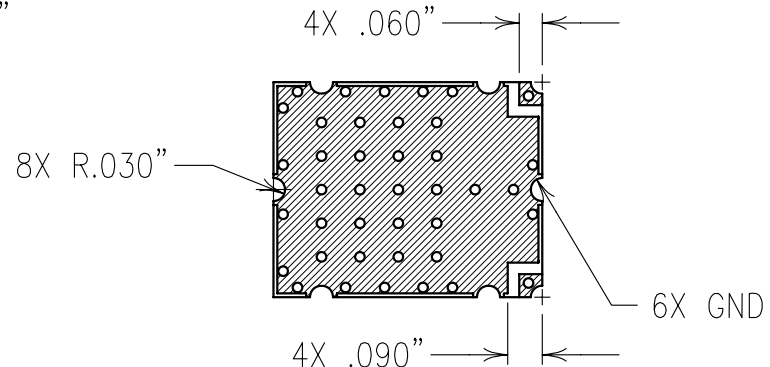
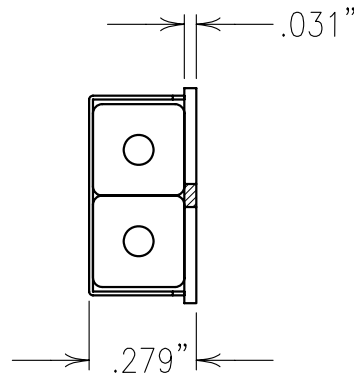
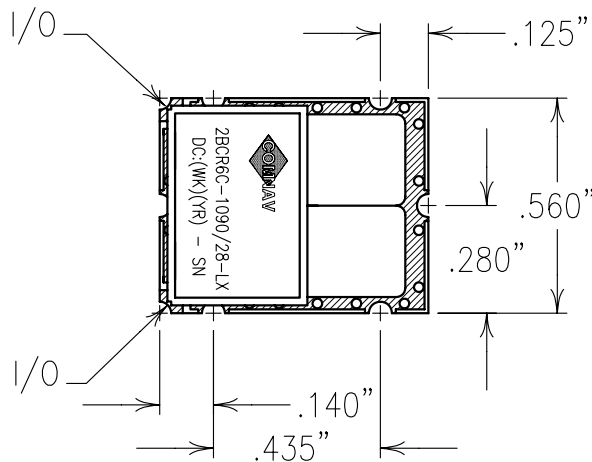
2

1



COPY

ELECTRICAL CHARACTERISTICS	
CENTER FREQUENCY	1090 MHz
3 dB BANDWIDTH	28 MHz NOM.
PASSBAND	1087-1093 MHz
PASSBAND LOSS	< 1.0 dB
PASSBAND FLATNESS	< 0.25 dB
VSWR	1.7:1 TYP.
REJECTION:	
32.5 dB	994 MHz
10 dB	1060 & 1120 MHz
28 dB	1186 MHz
POWER HANDLING	10 WATTS W/1% DUTY
OPERATING TEMP.	-40° TO +85°C



Confidential and Proprietary information of ComNav Engineering Inc. Do Not Duplicate or Use Without Permission. ComNav Engineering Inc. claims Copyright in this document as of the Creation, last revision, and last updated dates. All Rights Reserved.

NOTES:
 FOR RECOMMENDED FOOTPRINT SEE FP0036.
 RECOMMENDED ATTACHMENT METHOD: SILVER EPOXY
 OR REFLOW NOT TO EXCEED AS INDICATED BELOW:

TEMP.(°C) MAX.TIME(SEC)

215	90
230	60
245	30
260	15

ENGLISH / METRIC ENGLISH	CHECKED BY	D	14NOV01	RME	DEV.	GEN. REV. PER 1773
TOLERANCES UNLESS OTHERWISE SPECIFIED MACHINED SURFACES TO BE 125/ OR BETTER REMOVE ALL BURRS	DRAWN BY	C	04JUN01	TW	DEV.	GEN. REV. PER 1639
	ENGINEER	B	21MAY01	RFL	DEV.	GEN. REV. PER 1624
	SCALE	REV	DATE	BY	DCN No.	REMARKS
ENGLISH (INCHES) .XX ±.02 .XXX ±.010	METRIC (MM) .X ±.25 .XX ±.13	SCALE	APPLIC: CERAMIC COAXIAL FILTER			
ANGLES ± 0° 30'	DATE	15NOV01		TITLE: 2BCR6C-1090/28-LX		
	FINISH:	BOARD: NI/AU JACKET: NI/SILVER RESONATOR: SILVER				DRAWING No.
						0L0306
						SHEET/OF 1/1