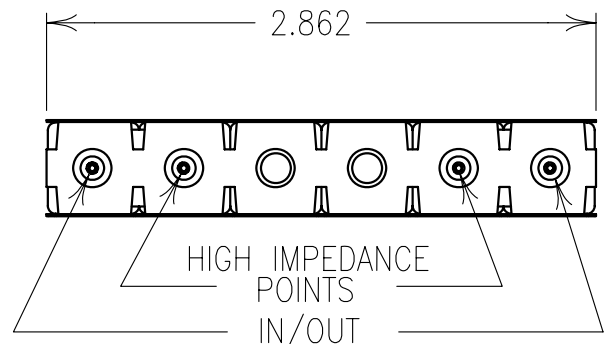
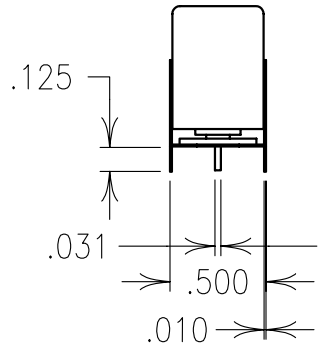
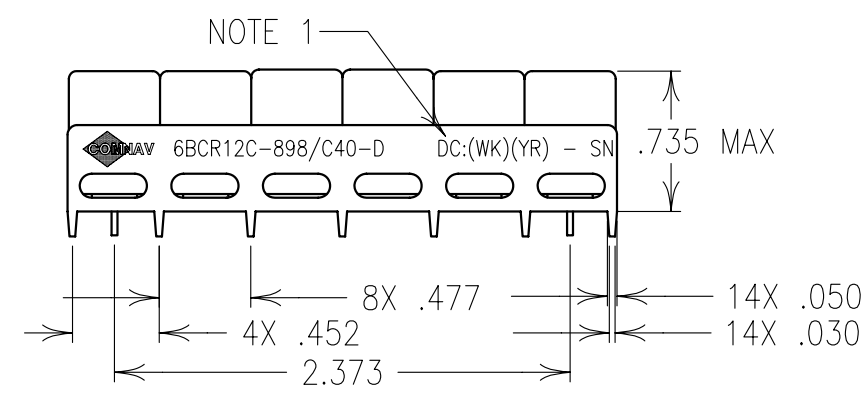


ELECTRICAL SPECIFICATIONS	
CENTER FREQUENCY	897.5 MHz
PASSBAND	880-915 MHz
PASSBAND LOSS	< 2.5 dB
PASSBAND VSWR	< 1.7:1
REJECTION:	
40 dB	925 TO 2.7*fo MHz



**COPY**

Confidential and Proprietary information of ComNav Engineering Inc. Do Not Duplicate or Use Without Permission. ComNav Engineering Inc. claims Copyright in this document as of the Creation, last revision, and last updated dates. All Rights Reserved.

NOTES:

1) DC: IS ON ONE SIDE ONLY.

2) THERE MUST BE A MINIMUM OF .050 AIR SPACE BETWEEN GROUND AND HIGH IMPEDANCE POINTS. THIS MAY BE ACCOMPLISHED BY RAISING THE FILTER OR DRILLING OUT THE BOARD.

ENGLISH / METRIC ENGLISH	CHECKED BY				
TOLERANCES UNLESS OTHERWISE SPECIFIED MACHINED SURFACES TO BE 125 OR BETTER REMOVE ALL BURRS	DRAWN BY RME				
ENGLISH (INCHES) .XX ±.02 .XXX ±.010	ENGINEER SWB	II	05FEB01	PSE	DEV. INI. ISS. PER 1540
METRIC (MM) .X ±.25 .XX ±.13	SCALE 1:1	REV	DATE	BY	DCN No. REMARKS
ANGLES ± 0° 30'	DATE 27FEB01	APPLIC: CERAMIC COAXIAL FILTER			TITLE: 6BCR12C-898/C40-D
COMNAV ENGINEERING INC.	MATERIAL: N/A	DRAWING No. 0L0305			SHEET NO/OF 1 1
	FINISH: N/A				

FOR RECOMMENDED FOOTPRINT SEE FP0038.