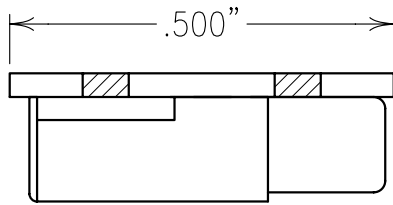


2

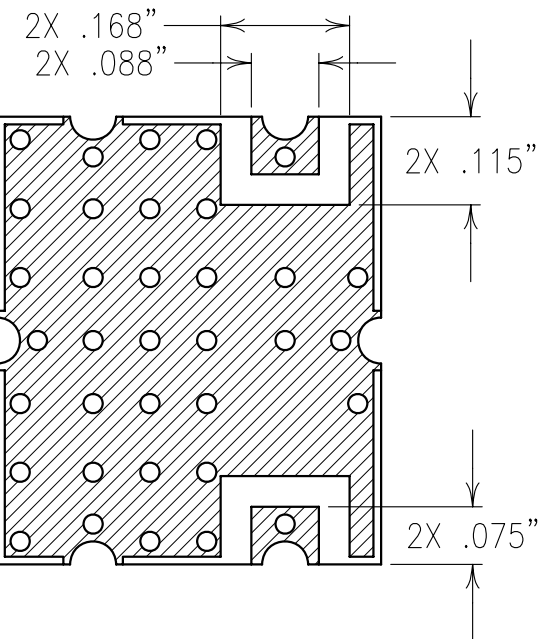
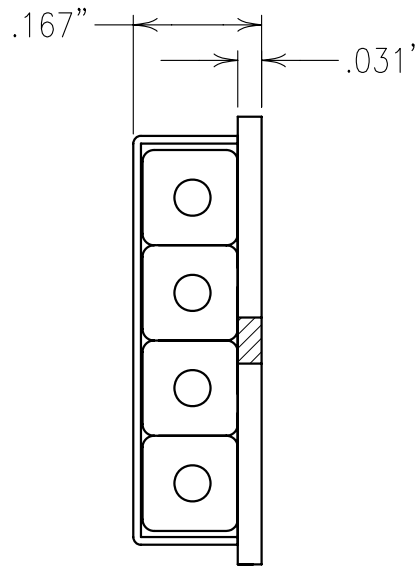
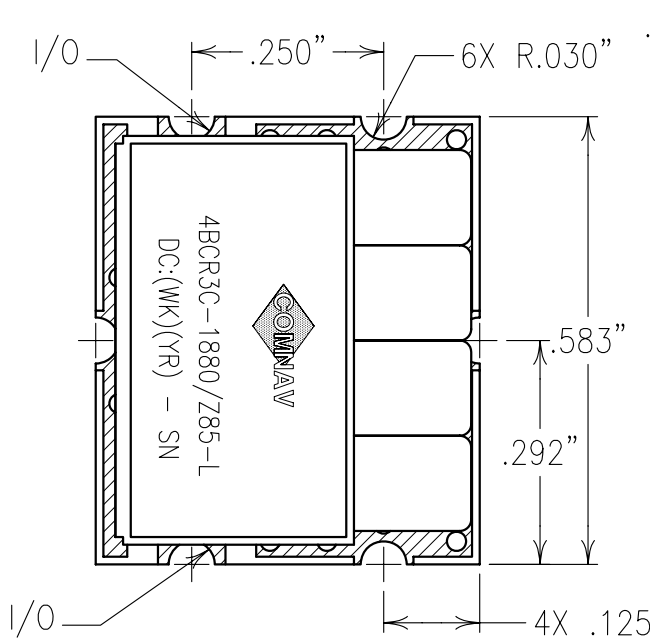
1



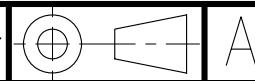
COPY

ELECTRICAL CHARACTERISTICS

CENTER FREQUENCY	1880 MHz
3 dB BANDWIDTH	85 MHz nom.
PASSBAND	1850-1910 MHz
PASSBAND LOSS	< 3.0 dB
PASSBAND FLATNESS	< 2.0 dB
VSWR	1.7:1
20 dBc REJECTION	1930-1990 MHz



Confidential and Proprietary information of ComNav Engineering Inc.
 Do Not Duplicate or Use Without Permission. ComNav Engineering Inc.
 claims Copyright in this document as of the Creation, last revision,
 and last updated dates. All Rights Reserved.



NOTES:
 FOR RECOMMENDED FOOTPRINT SEE FP0025.
 RECOMMENDED ATTACHMENT METHOD: SILVER EPOXY
 OR REFLOW NOT TO EXCEED AS INDICATED BELOW:
 TEMP.(°C) MAX.TIME(SEC)

215	90
230	60
245	30
260	15

ENGLISH / METRIC ENGLISH	CHECKED BY				
TOLERANCES UNLESS OTHERWISE SPECIFIED MACHINED SURFACES TO BE 125 OR BETTER REMOVE ALL BURRS	DRAWN BY RME	II	13NOV00	KJR	DEV.
ENGLISH (INCHES) .XX ±.02 .XXX ±.01	ENGINEER KJR	REV	DATE	BY	DCN No.
METRIC (MM) .X ±.25 .XX ±.13	SCALE 4:1	APPLIC: CERAMIC COAXIAL FILTER			
ANGLES ± 0° 30'	DATE 29NOV00	TITLE:	4BCR3C-1880/Z85-L		SHEET NO/OF 1 1
COMNAV ENGINEERING INC.	FINISH: CARRIER BOARD:TIN PLATED COPPER JACKET:NI/SILVER RESONATOR:SILVER	DRAWING No. 0L0290			