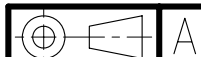
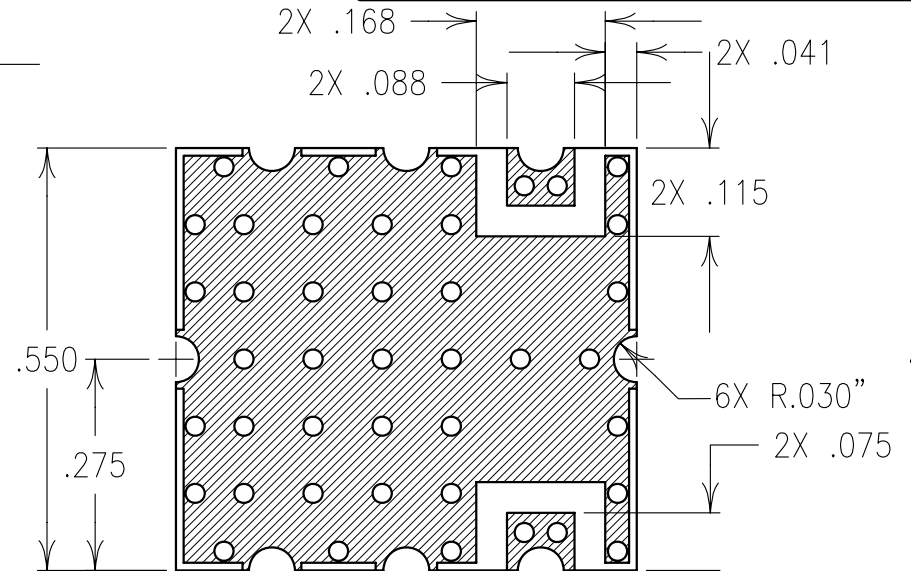
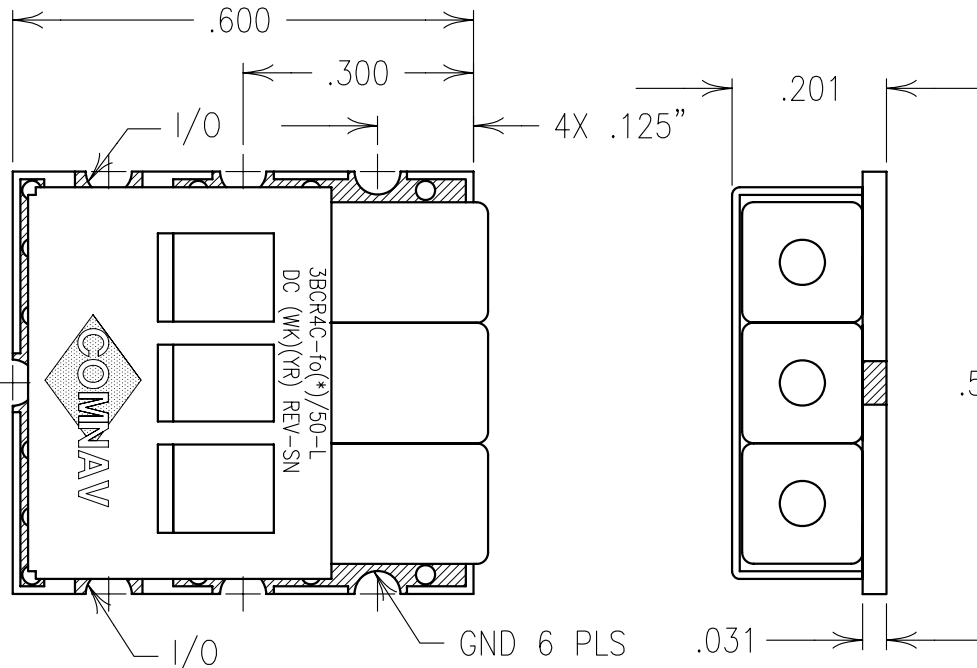
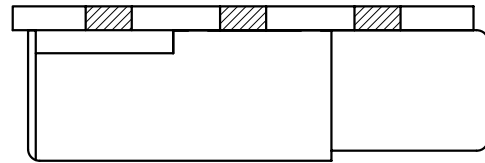


ELECTRICAL CHARACTERISTICS

CENTER FREQUENCY fo(*)	1227.6 MHz OR 1575.4 MHz
3.0 dB BANDWIDTH PASSBAND	50 MHz NOM fo(*)±15 MHz
PASSBAND FLATNESS	<0.5 dB
PASSBAND LOSS	<3.0 dB
VSWR	1.7:1
REJECTION:	
>50 dB	1401 MHz

COPY



Confidential and Proprietary information of ComNav Engineering Inc. Do Not Duplicate or Use Without Permission. ComNav Engineering Inc. claims Copyright in this document as of the Creation, last revision, and last updated dates. All Rights Reserved.

NOTES:

FOR RECOMMENDED FOOTPRINT SEE FP0024.  
RECOMMENDED ATTACHMENT METHOD: SILVER EPOXY OR REFLOW NOT TO EXCEED AS INDICATED BELOW:

TEMP.(°C)	MAX.TIME(SEC)
215	90
230	60
245	30
260	15

ENGLISH / METRIC ENGLISH	CHECKED BY				
TOLERANCES UNLESS OTHERWISE SPECIFIED MACHINED SURFACES TO BE 125 OR BETTER REMOVE ALL BURRS	DRAWN BY RME	II	13NOV00	KJR	DEV.
ENGLISH (INCHES) .XX ±.02 .XXX ±.01	ENGINEER KJR	REV	DATE	BY	DCN No.
METRIC (MM) .X ±.25 .XX ±.13	SCALE 4:1	APPLIC: CERAMIC COAXIAL FILTER			
ANGLES ± 0° 30'	DATE 20NOV00	TITLE: 3BCR4C-fo(*)/50-L			SHEET NO/OF 1 1
	FINISH: CARRIER BOARD:TIN PLATED COPPER JACKET:NI/SILVER RESONATOR:SILVER	DRAWING No. 0L0289			