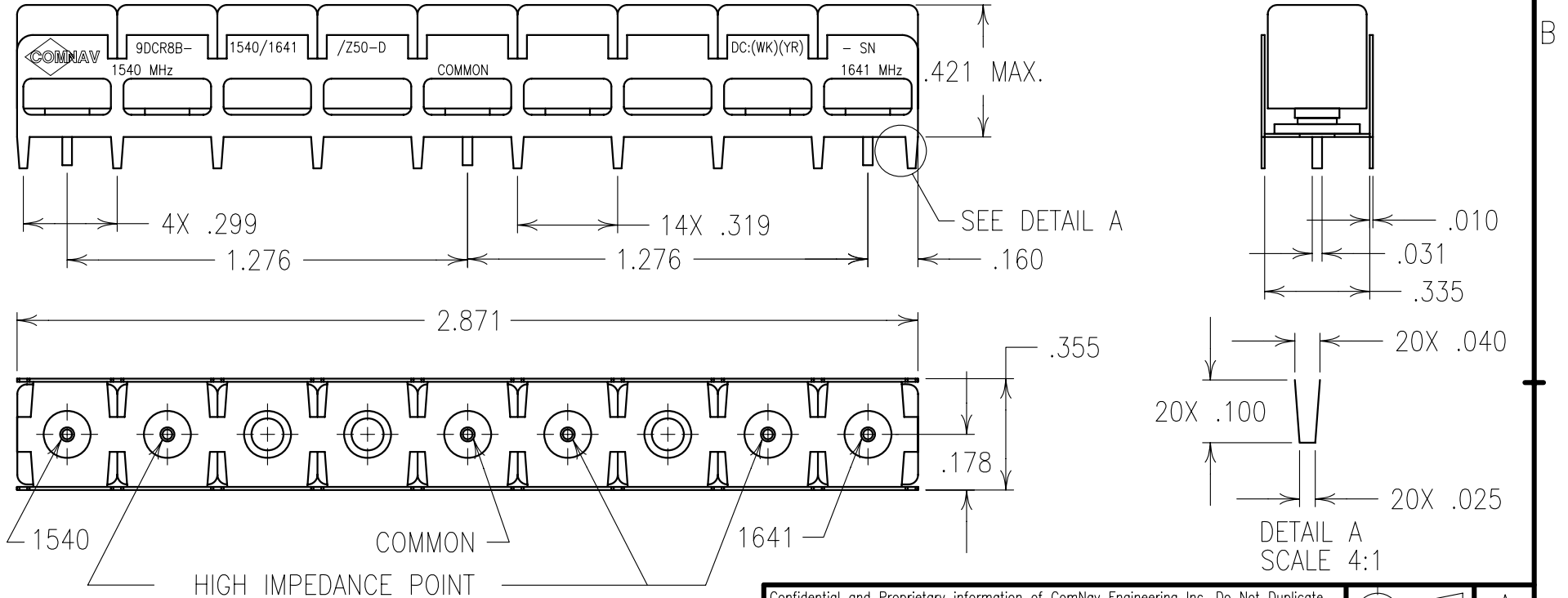


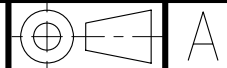
# COPY

## ELECTRICAL SPECIFICATIONS

RECEIVE BAND		TRANSMIT BAND	
PASSBAND	1525-1559 MHz	PASSBAND	1626.5-1660.5 MHz
PASSBAND LOSS	<1.2 dB	PASSBAND LOSS	<1.2 dB
PASSBAND FLATNESS	<1.0 dB	PASSBAND FLATNESS	<1.0 dB
PASSBAND VSWR	<1.5:1	PASSBAND VSWR	<1.5:1
REJECTION:		REJECTION:	
1626.5-1660.5 MHz	65 dB	1525-1559 MHz	55 dB



Confidential and Proprietary information of ComNav Engineering Inc. Do Not Duplicate or Use Without Permission. ComNav Engineering Inc. claims Copyright in this document as of the Creation, last revision, and last updated dates. All Rights Reserved.



### NOTES:

- 1) DC: IS ON ONE SIDE ONLY.
- 2) THERE MUST BE A MINIMUM OF .050 AIR SPACE BETWEEN GROUND AND HIGH IMPEDANCE POINTS. THIS MAY BE ACCOMPLISHED BY RAISING THE FILTER OR DRILLING OUT THE BOARD.

FOR RECOMMENDED FOOTPRINT SEE FP0032.

ENGLISH / METRIC ENGLISH	CHECKED BY	C	17APR01	KJR	DEV.	GEN. REV. PER 1603
TOLERANCES UNLESS OTHERWISE SPECIFIED MACHINED SURFACES TO BE 125 / OR BETTER REMOVE ALL BURRS	DRAWN BY	B	24JAN01	KJR	DEV.	GEN. REV. PER 1487
	ENGINEER	A	18DEC00	KJR	DEV.	GEN. REV. PER 1449
ENGLISH (INCHES) .XX ±.02 .XXX ±.010	SCALE	REV	DATE	BY	DCN No.	REMARKS
METRIC (MM) .X ±.25 .XX ±.13	2:1	APPLIC: CERAMIC COAXIAL FILTER				
ANGLES ± 0° 30'	DATE	TITLE: 9DCR8B-1540/1641/Z50-D				SHEET NO/OF 1 1
	MATERIAL: N/A	DRAWING No. 0L0284				
	FINISH: N/A					