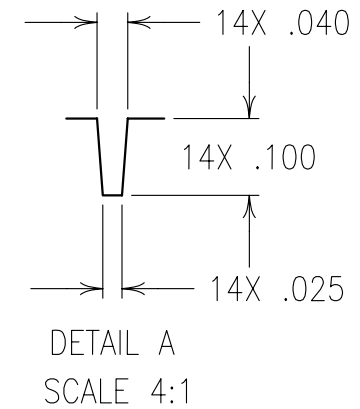
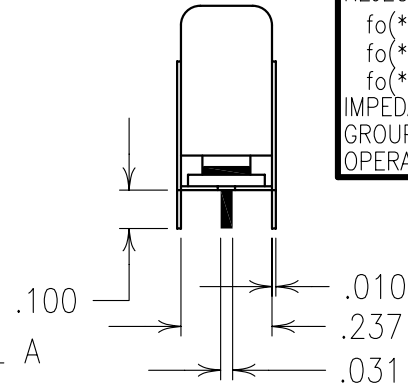
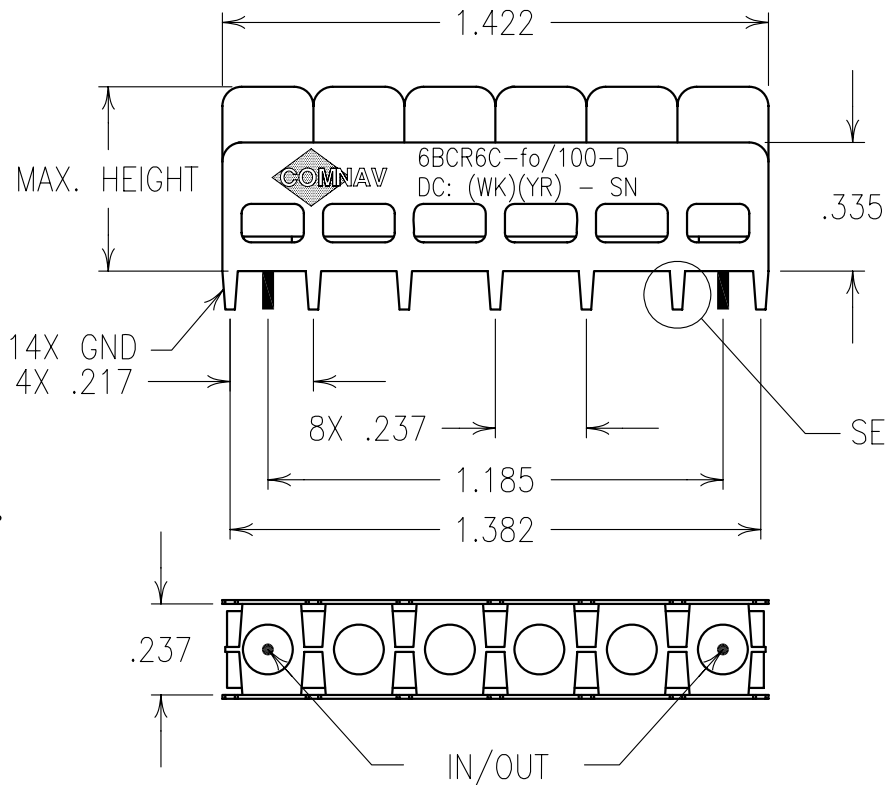


2

1

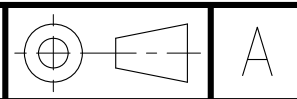
F _o	COMNAV PART NO.	CUSTOMER PART NO.	MAX. HEIGHT
1350 MHz	6BCR6C-1350/100-D	-	.464"
1575 MHz	6BCR6C-1575/100-D	-	.412"

ELECTRICAL CHARACTERISTICS	
CENTER FREQUENCY f _o (*)	1350 MHz, 1575 MHz
3dB BANDWIDTH	100 MHz NOM.
1dB BANDWIDTH	80 MHz ±10 MHz
LOSS AT f _o (*)	<3.0 dB
PASSBAND FLATNESS	1 dB
VSWR	1.7:1 TYP
REJECTION:	
f _o (*) ± 100MHz	30 dB MIN.
f _o (*) ± 200 MHz	65 dB MIN.
f _o (*) ± 400 MHz	80 dB MIN.
IMPEDANCE	50 OHMS
GROUP DELAY VAR (f _o ± 25 MHz)	<3.0 NSEC
OPERATING TEMP.	-40 - 85C



COPY

Confidential and Proprietary information of ComNav Engineering Inc. Do Not Duplicate or Use Without Permission. ComNav Engineering Inc. claims Copyright in this document as of the Creation, last revision, and last updated dates. All Rights Reserved.



NOTES:
 MAX REFLOW TEMP. 240°C FOR 30 SEC.,
 OR 260°C FOR 15 SEC.
 FOR RECOMMENDED FOOTPRINT SEE FP0043.

ENGLISH / METRIC ENGLISH	CHECKED BY					
TOLERANCES UNLESS OTHERWISE SPECIFIED MACHINED SURFACES TO BE 125 / OR BETTER REMOVE ALL BURRS	DRAWN BY	A	05JUN01	SWB	DEV.	GEN. REV. PER 1646
	ENGINEER	II	08SEP00	SWB	DEV.	INI. ISS. PER 1321
	SWB	REV	DATE	BY	DCN No.	REMARKS
ENGLISH (INCHES) .XX ±.02 .XXX ±.010	SCALE	APPLIC: CERAMIC COAXIAL FILTER				SHEET NO/OF 1 1
METRIC (MM) .X ±.25 .XX ±.13	2:1	TITLE: 6BCR6C-fo/100-D				
ANGLES ± 0° 30'	DATE	DRAWING No. 010262				
COMNAV ENGINEERING INC.	FINISH:	JACKET: NI/SILVER RESONATOR: SILVER PINS: TIN PLATED BRASS				