

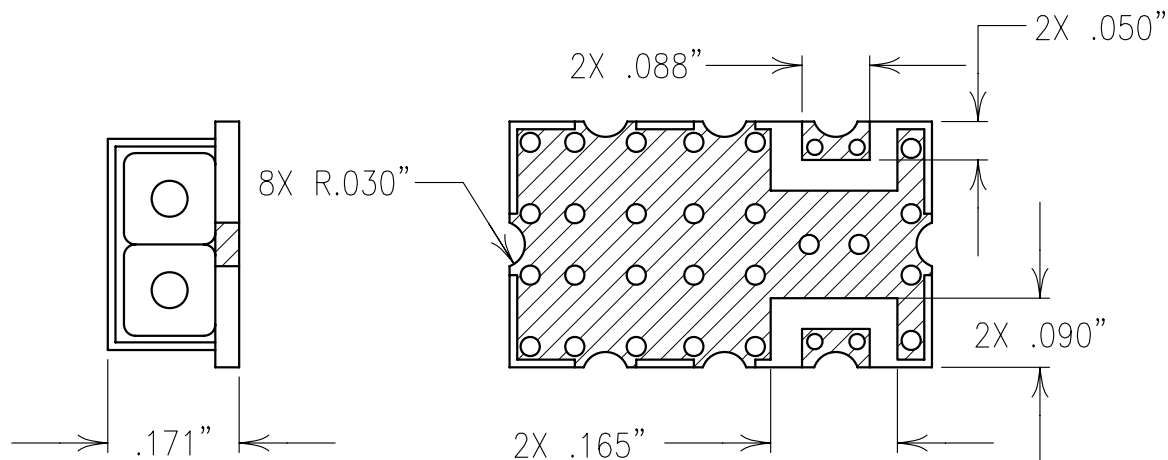
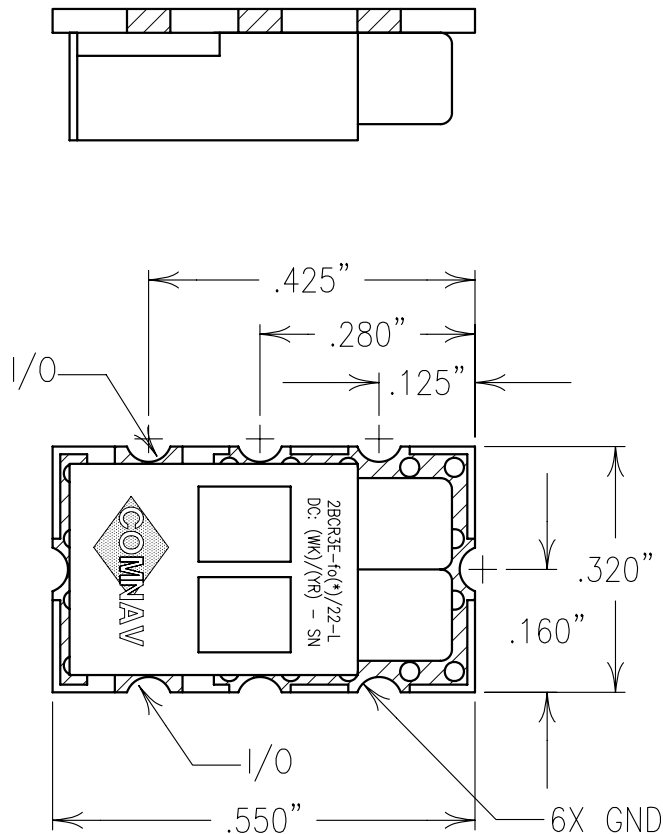
2

1

ELECTRICAL CHARACTERISTICS

CENTER FREQUENCY fo(*):	997,1009 MHz
3dB BANDWIDTH:	22 MHz MIN.
LOSS @ fo:	<2.7 dB
VSWR:	1:7:1 TYP
REJECTION:	TYP 2 POLE RESPONSE

COPY



Confidential and Proprietary information of ComNav Engineering Inc. Do Not Duplicate or Use Without Permission. ComNav Engineering Inc. claims Copyright in this document as of the Creation, last revision, and last updated dates. All Rights Reserved.

NOTES:
 FOR RECOMMENDED FOOTPRINT SEE FP0015.
 RECOMMENDED ATTACHMENT METHOD: SILVER EPOXY
 OR REFLOW NOT TO EXCEED AS INDICATED BELOW:
 TEMP.(°C) MAX.TIME(SEC)

215	90
230	60
245	30
260	15

ENGLISH / METRIC ENGLISH	CHECKED BY					
TOLERANCES UNLESS OTHERWISE SPECIFIED	DRAWN BY	A	16JUN03	JMD	DEV.	GEN. REV. PER 2084
MACHINED SURFACES TO BE 125/10R BETTER	PBF	II	02AUG00	KJR	DEV.	INI. ISS. PER 1269
REMOVE ALL BURRS	ENGINEER	REV	DATE	BY	DCN No.	REMARKS
ENGLISH (INCHES)	METRIC (MM)	SCALE	APPLIC: CERAMIC COAXIAL FILTER			
.XX ±.02	.X ±.50	4:1	TITLE: 2BCR3E-fo(*)/22-L			
.XXX ±.010	.XX ±.25	DATE	17JUN03			
ANGLES ± 0° 30'						

	FINISH: BOARD: NICKEL/GOLD JACKET: NICKEL/SILVER RESONATOR: SILVER	DRAWING No. 0L0256	SHEET OF 1 1
--	--------------------------------------------------------------------------	-----------------------	-----------------