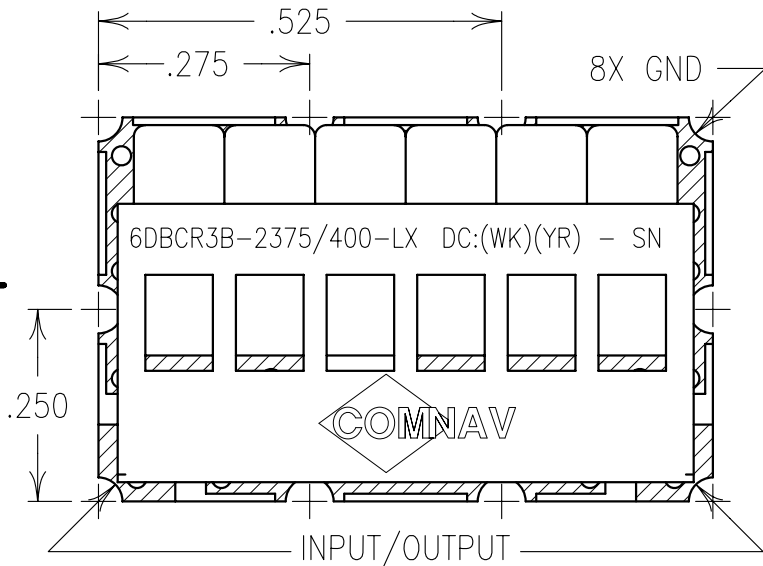
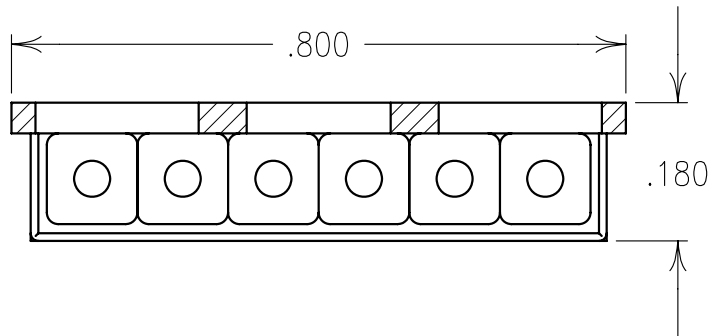
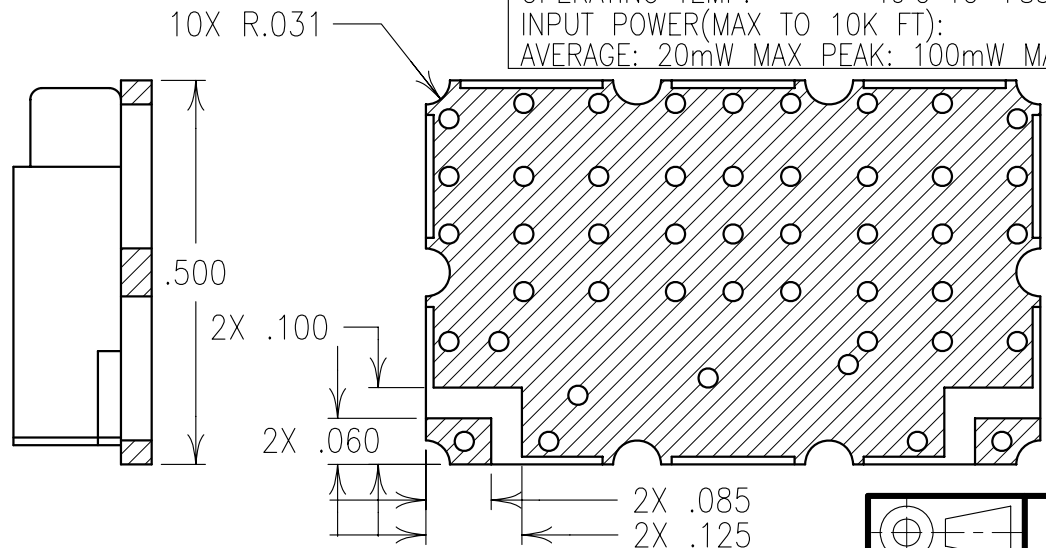


2

1



COPY



ELECTRICAL CHARACTERISTICS	
CENTER FREQUENCY(MHz)	2375
PASSBAND(MHz)	2225-2310, 2479-2525
PASSBAND RIPPLE/VARIATION	1 dB MAX
PASSBAND LOSS	2.0 dBA MAX
PASSBAND VSWR	2.0:1
STOPBAND REJECTION:	
AT 2144 MHz	9 dBc MIN
AT 2080,2700 MHz	15 dBc MIN
AT 1855 MHz	30 dBc MIN
AT 3030 MHz	35 dBc MIN
ULTIMATE REJECTION	50 dBc MIN
IMPEDANCE	50 OHM
OPERATING TEMP.	-40°C TO +85°C
INPUT POWER(MAX TO 10K FT):	
AVERAGE: 20mW MAX PEAK: 100mW MAX	

Confidential and Proprietary information of ComNav Engineering Inc. Do Not Duplicate or Use Without Permission. ComNav Engineering Inc. claims Copyright in this document as of the Creation, last revision, and last updated dates. All Rights Reserved.

NOTES:
FOR RECOMMENDED FOOTPRINT SEE FP0019.

ENGLISH / METRIC ENGLISH	CHECKED BY					
TOLERANCES UNLESS OTHERWISE SPECIFIED MACHINED SURFACES TO BE 125 / OR BETTER REMOVE ALL BURRS	DRAWN BY RME	A	04DEC00	KJR	DEV.	GEN. REV. PER 1432
	ENGINEER KJR	II	14AUG00	KJR	DEV.	INI. ISS. PER 1267
		REV	DATE	BY	DCN No.	REMARKS
ENGLISH (INCHES) .XX ±.02 .XXX ±.010	METRIC (MM) .X ±.25 .XX ±.13	SCALE 4:1	APPLIC: CERAMIC COAXIAL FILTER			
ANGLES ± 0° 30'	DATE 27DEC00	TITLE: 6DBCR3B-2375/400-LX				
	FINISH: CARRIER BOARD:TIN PLATED COPPER JACKET:NI/SILVER RESONATOR:SILVER	DRAWING No. 0L0255		SHEET OF 1 1		