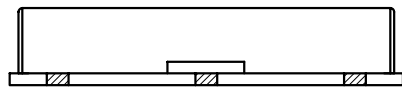
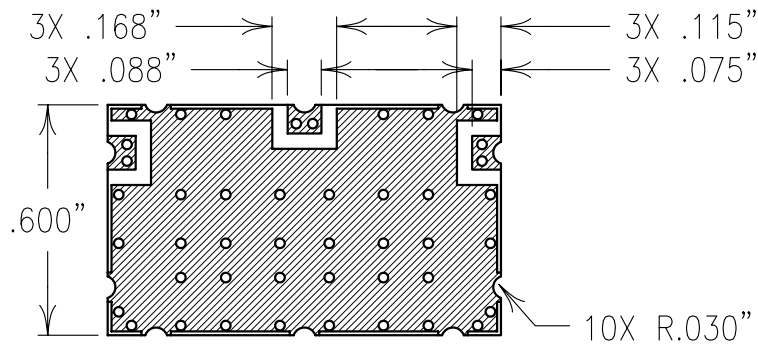
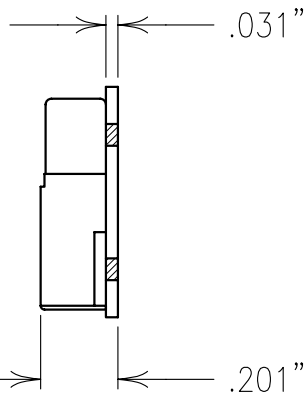
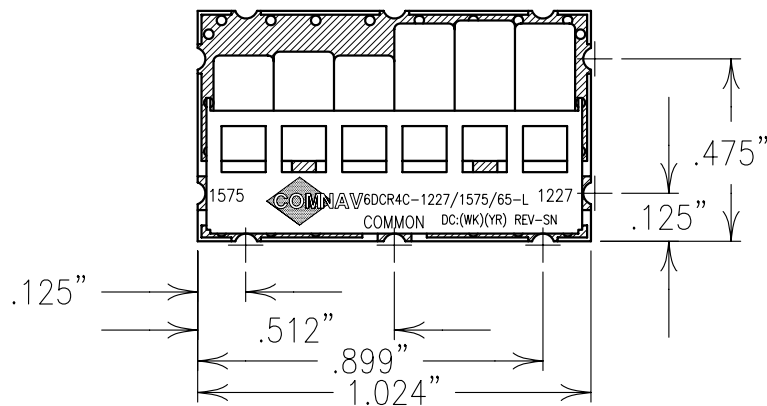


2

1

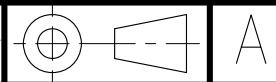


**COPY**



ELECTRICAL CHARACTERISTICS		
SPECIFICATION	L2	L1
CENTER FREQUENCY	1227 MHz	1575 MHz
PASSBAND	1217-1238 MHz	1565-1585 MHz
PASSBAND LOSS	<2.5 dB	<2.5 dB
ISOLATION	>55 dB	>55 dB
20 dB REJECTION	fo ±50 MHz	fo ±50 MHz
40 dB REJECTION	fo ±100 MHz	fo ±100 MHz
PASSBAND VSWR	1.7:1 TYP	1.7:1 TYP

Confidential and Proprietary information of ComNav Engineering Inc. Do Not Duplicate or Use Without Permission. ComNav Engineering Inc. claims Copyright in this document as of the Creation, last revision, and last updated dates. All Rights Reserved.



NOTES:  
 FOR RECOMMENDED FOOTPRINT SEE FP0045.  
 RECOMMENDED ATTACHMENT METHOD: SILVER EPOXY OR REFLOW NOT TO EXCEED AS INDICATED BELOW:  
 TEMP.(°C) MAX.TIME(SEC)  
 215 90  
 230 60  
 245 30  
 260 15

ENGLISH / METRIC ENGLISH		CHECKED BY						
TOLERANCES UNLESS OTHERWISE SPECIFIED MACHINED SURFACES TO BE 125 OR BETTER REMOVE ALL BURRS		DRAWN BY RME		A	01MAY01	RME	DEV.	GEN. REV. PER 1614
		ENGINEER SWB		II	10JUL00	TLW	DEV.	INI. ISS. PER 1239
				REV	DATE	BY	DCN No.	REMARKS
ENGLISH (INCHES) .XX ±.02 .XXX ±.01		METRIC (MM) .X ±.25 .XX ±.13		SCALE 2:1		APPLIC: CERAMIC COAXIAL FILTER		
ANGLES ± 0° 30'		DATE 08MAY01		TITLE: 6DCR4C-1227/1575/65-L				SHEET NO/OF 1 1
		FINISH: CARRIER BOARD: NI/AU PLATED COPPER JACKET: NI/SILVER RESONATOR: SILVER			DRAWING No. 0L0250			