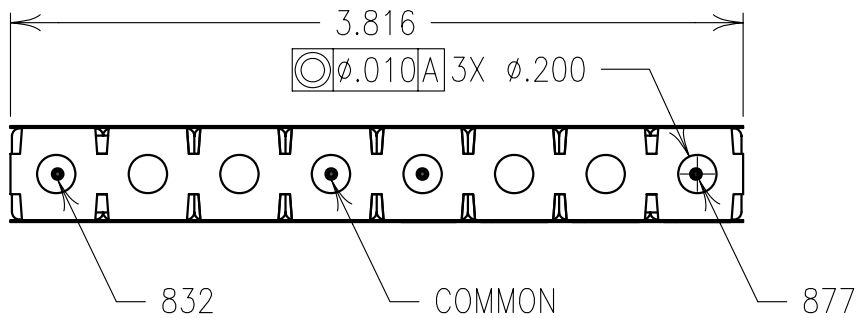


| ELECTRICAL SPECIFICATIONS | |
|---------------------------|---------------------------------|
| CENTER FREQS. | 832,877 MHz |
| PASSBANDS | 829.1-834.1 AND 874.1-879.1 MHz |
| 3 dB BANDWIDTHS | 9 MHz NOM |
| VSWR | 1.7:1 |
| PASSBAND LOSS | <3.5 dB |
| PASSBAND FLATNESS | <1.0 dB |
| CH1/CH2 ISOLATION | 70 dBc MIN (80 dBc GOAL) |



COPY

Confidential and Proprietary information of ComNav Engineering Inc. Do Not Duplicate or Use Without Permission. ComNav Engineering Inc. claims Copyright in this document as of the Creation, last revision, and last updated dates. All Rights Reserved.

NOTES:
1 DC: IS ON ONE SIDE ONLY
FOR RECOMMENDED FOOTPRINT SEE FP0012

| ENGLISH / METRIC ENGLISH | | CHECKED BY | | | | APPLIC: CERAMIC COAXIAL FILTER | |
|--|------------------|--------------|--------------------------------|--------------------|--|--------------------------------|--|
| TOLERANCES UNLESS OTHERWISE SPECIFIED MACHINED SURFACES TO BE 125 OR BETTER REMOVE ALL BURRS | ENGLISH (INCHES) | SCALE 1:1 | APPLIC: CERAMIC COAXIAL FILTER | | | | |
| | METRIC (MM) | DATE 29AUG01 | TITLE: 8DCR12C-832/877/9-D | | | | |
| | ANGLES ± 0° 30' | DATE 29AUG01 | SHEET NO/OF 1 1 | | | | |
| MATERIAL: 0.010" THK NI/SIL | | FINISH: NONE | | DRAWING No. 0L0246 | | | |

