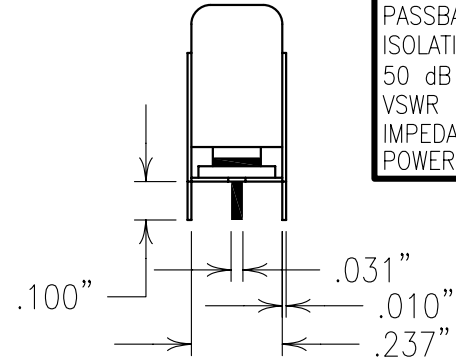
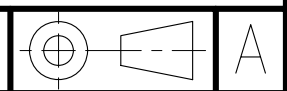


ELECTRICAL CHARACTERISTICS	
CENTER FREQUENCY	1843 MHz NOM
3 dB BANDWIDTH	95 MHz NOM
PASSBAND	1805-1880 MHz
PASSBAND LOSS	<3.5 dB
ISOLATION (1710-1785)	40 dB
50 dB REJECTION	1700,2050 MHz
VSWR	≤1.7:1
IMPEDANCE	50 OHMS
POWER	5 WATTS



COPY

Confidential and Proprietary information of ComNav Engineering Inc. Do Not Duplicate or Use Without Permission. ComNav Engineering Inc. claims Copyright in this document as of the Creation, last revision, and last updated dates. All Rights Reserved.



NOTES:
 FILTER IS A BI-DIRECTIONAL CROSS-COUPLED DESIGN.
 MAX REFLOW TEMP. 240°C FOR 30 SEC., OR 260°C FOR 15 SEC.
 FOR RECOMMENDED FOOTPRINT SEE FP0013.

ENGLISH / METRIC ENGLISH	CHECKED BY B	05JUN01	SWB	DEV.	GEN. REV. PER 1645
TOLERANCES UNLESS OTHERWISE SPECIFIED MACHINED SURFACES TO BE 125 OR BETTER REMOVE ALL BURRS	DRAWN BY RME	A	07JUL00	KJR	DEV. GEN. REV. PER 1233
ENGLISH (INCHES) .XX ±.02 .XXX ±.010	ENGINEER SWB	II	19MAY00	KJR	DEV. INI. ISS. PER 1172
METRIC (MM) .X ±.25 .XX ±.13	SCALE 2:1	REV	DATE	BY	DCN No. REMARKS
ANGLES ± 0° 30'	DATE 11JUN01	APPLIC: CERAMIC COAXIAL FILTER			TITLE: 6BCR6B-1843/C95-DA
COMNAV ENGINEERING INC.	FINISH: JACKET: NI/SILVER RESONATOR: SILVER PINS: TIN PLATED BRASS	DRAWING No. 0L0238			SHEET NO/OF 1 1