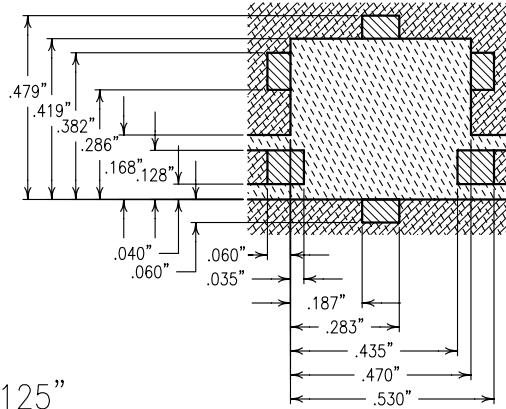
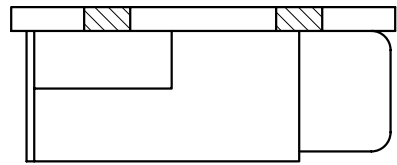


2

1

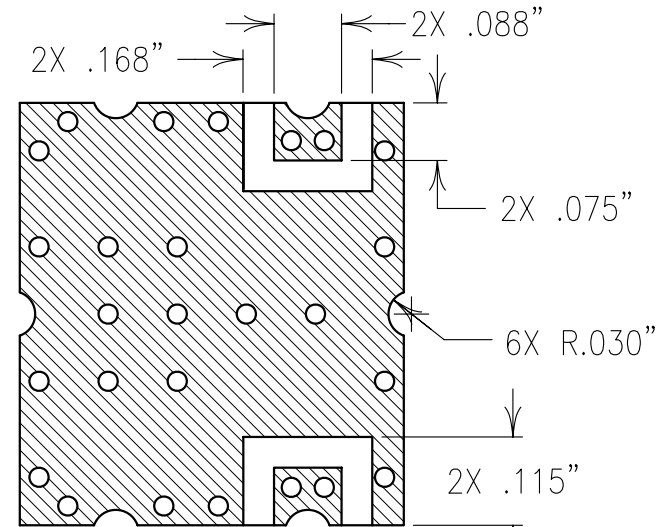
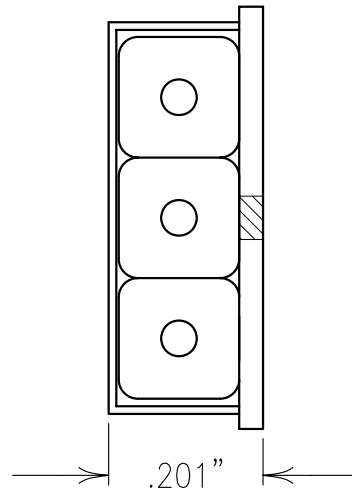
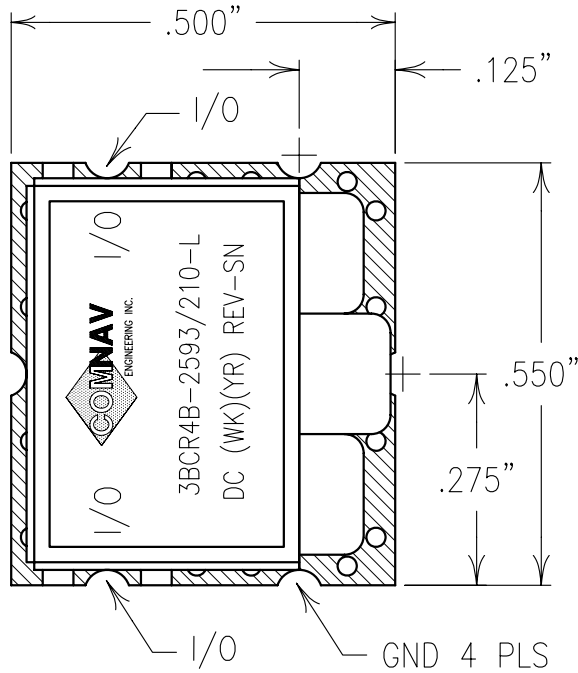


SCALE 2:1
SUGGESTED FOOTPRINT

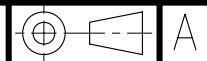
COPY

ELECTRICAL CHARACTERISTICS

CENTER FREQUENCY	2593 MHz
3.0 dB BANDWIDTH	220 MHz NOM
PASSBAND	2500-2686 MHz
PASSBAND LOSS	<2.0 dB
FLATNESS	<0.5 dB
VSWR	1.7:1 TYP
REJECTION:	
5 dBc	2737 MHz
10 dBc	2150-2162 MHz
20 dBc	3450-3636 MHz



Confidential and Proprietary information of ComNav Engineering Inc. Do Not Duplicate or Use Without Permission. ComNav Engineering Inc. claims Copyright in this document as of the Creation, last revision, and last updated dates. All Rights Reserved.



NOTES:
NO TIN PLATING UNDER SOLDER MASK.
RECOMMENDED ATTACHMENT METHOD: SILVER EPOXY OR REFLOW NOT TO EXCEED AS INDICATED BELOW:

TEMP.(°C)	MAX.TIME(SEC)		
215	90		COPPER-NO TIN PLATING
230	60		TIN PLATED COPPER
245	30		SOLDER MASK
260	15		

ENGLISH / METRIC ENGLISH		CHECKED BY					
TOLERANCES UNLESS OTHERWISE SPECIFIED		DRAWN BY					
MACHINED SURFACES TO BE 125 OR BETTER		PBF		II		23MAY00	
REMOVE ALL BURRS		ENGINEER		KJR		DEV.	
ENGLISH (INCHES)		METRIC (MM)		REV		DATE	
.XX ±.02		.X ±.25		BY		DCN No.	
.XXX ±.01		.XX ±.13		REMARKS			
ANGLES ± 0° 30'		SCALE		APPLIC:			
		4:1		COAXIAL FILTER			
		DATE		TITLE:			
		19JUN00		3BCR4B-2593/210-L			
		FINISH:		DRAWING No.		SHEET NO/OF	
		CARRIER BOARD:TIN PLATED COPPER		0L0236		1 1	
		JACKET:NI/SILVER					
		RESONATOR:SILVER					