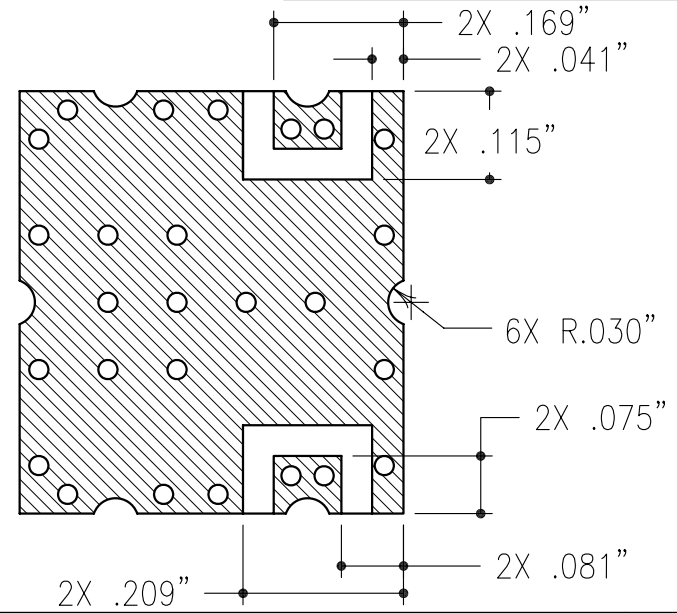
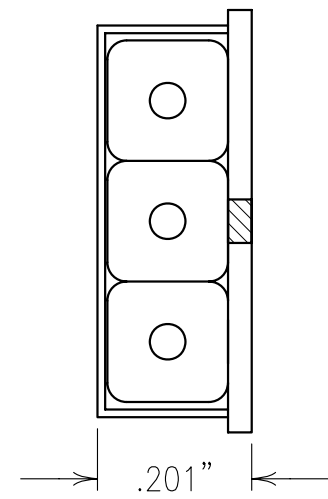
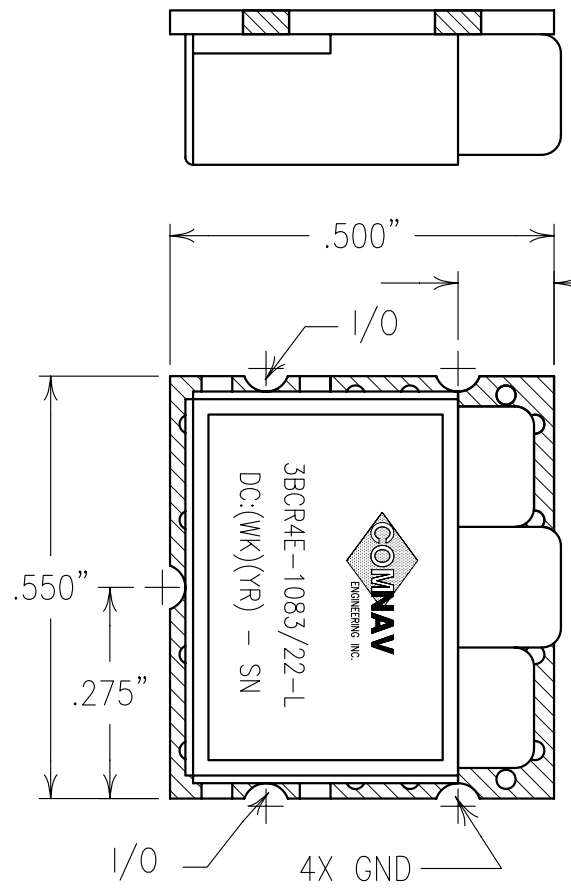


2

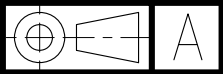
1

COPY

ELECTRICAL CHARACTERISTICS	
CENTER FREQUENCY	1083 MHz
3.0 dB BANDWIDTH	22 MHz NOM
1.0 dB BANDWIDTH	16 MHz MIN
INSERTION LOSS	<3.0 dB
VSWR	1.5:1 TYP ±4 MHz
REJECTION:	
1068, 1098	5 dBA
1126	28 dBA
DC-500, 1166-2700	40 dBA
3380-4503	25 dBA
PACKAGE	LEADLESS SMT
OP TEMP	-45 TO +85°C



Confidential and Proprietary information of ComNav Engineering Inc. Do Not Duplicate or Use Without Permission. ComNav Engineering Inc. claims Copyright in this document as of the Creation, last revision, and last updated dates. All Rights Reserved.



NOTES:

FOR RECOMMENDED FOOTPRINT SEE FP0009.
 RECOMMENDED ATTACHMENT METHOD: SILVER EPOXY
 OR REFLOW NOT TO EXCEED AS INDICATED BELOW:
 TEMP.(°C)MAX.TIME(SEC)
 215 90
 230 60
 245 30
 260 15

ENGLISH / METRIC	CHECKED BY	B	16APR02	MJG	DEV.	GEN. REV. PER 1875
ENGLISH		A	13OCT00	KJR	DEV.	GEN. REV. PER 1356
TOLERANCES UNLESS OTHERWISE SPECIFIED	DRAWN BY	II	04JUL00	KJR	DEV.	INI. ISS. PER 1201
MACHINED SURFACES TO BE 125/100 OR BETTER	ENGINEER	REV	DATE	BY	DCN No.	REMARKS
REMOVE ALL BURRS	MJG					
ENGLISH (INCHES)	SCALE	APPLIC: CERAMIC COAXIAL FILTER				
METRIC (MM)	4:1	TITLE: 3BCR4E-1083/22-L				
.XX ±.02	DATE	DRAWING No. 010233				
.XXX ±.010	17APR02	SHEET OF 1 1				
ANGLES ± 0° 30'	FINISH:	DRAWING No. 010233				
	BOARD: NI/AU	SHEET OF 1 1				
	JACKET: NI/SILVER	010233				
	RESONATOR: SILVER	010233				