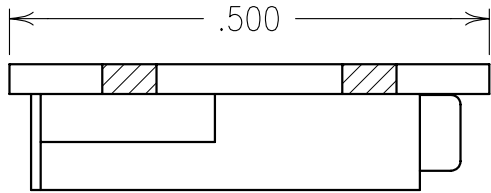
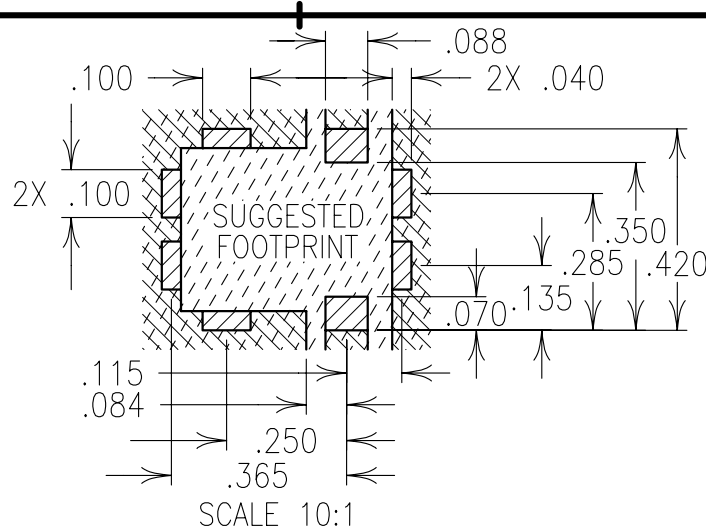


2

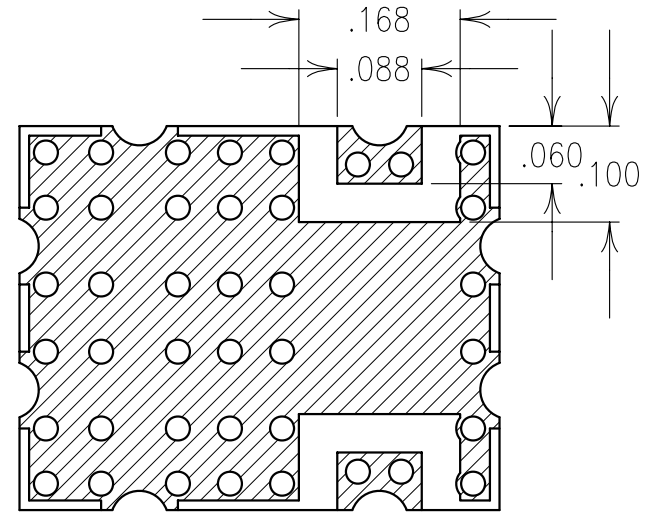
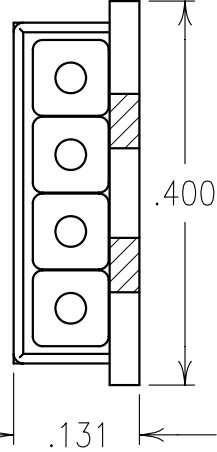
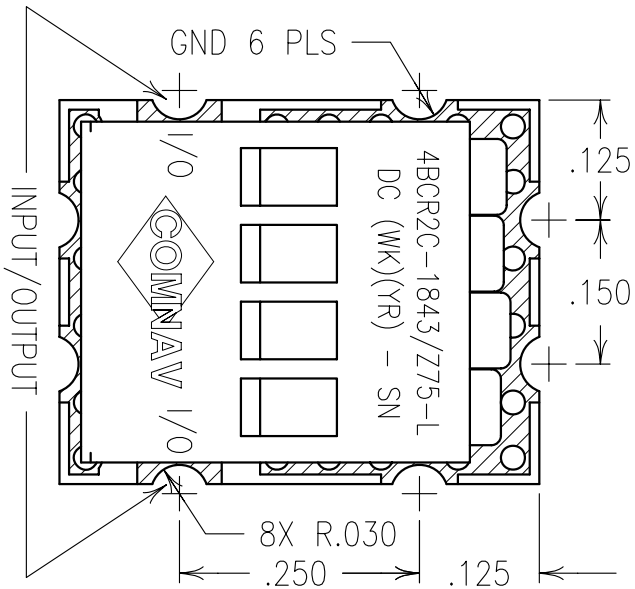
1



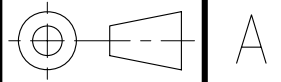
COPY



ELECTRICAL CHARACTERISTICS	
CENTER FREQUENCY	1842.5 MHz
3 dB BANDWIDTH	75 MHz MIN
LOSS @ fo:	<2.5 dB
VSWR	1.7:1 TYP
22 dB REJECTION	fo ±60 MHz
35 dB REJECTION	fo ±250 MHz
35 dB ULTIMATE	DC-5600 MHz



Confidential and Proprietary information of ComNav Engineering Inc. Do Not Duplicate or Use Without Permission. ComNav Engineering Inc. claims Copyright in this document as of the Creation, last revision, and last updated dates. All Rights Reserved.



NOTES:
 NO TIN PLATING UNDER SOLDER MASK.
 RECOMMENDED ATTACHMENT METHOD: SILVER EPOXY OR REFLOW NOT TO EXCEED AS INDICATED BELOW:
 TEMP.(°C) MAX.TIME(SEC)

215	90		COPPER-NO TIN PLATING
230	60		TIN PLATED COPPER
245	30		SOLDER MASK
260	15		

ENGLISH / METRIC ENGLISH		CHECKED BY					
TOLERANCES UNLESS OTHERWISE SPECIFIED MACHINED SURFACES TO BE 125 OR BETTER REMOVE ALL BURRS		DRAWN BY PBF					
ENGLISH (INCHES) .XX ±.02 .XXX ±.01		ENGINEER MJG		II	01MAR00	MJG	DEV. INI. REV. PER 1149
METRIC (MM) .X ±.25 .XX ±.13		SCALE 5:1		REV	DATE	BY	DCN No. REMARKS
ANGLES ± 0° 30'		DATE 16APR00		APPLIC: COAXIAL FILTER			
		FINISH: CARRIER BOARD:TIN PLATED COPPER JACKET:NI/SILVER RESONATOR:SILVER				TITLE: 4BCR2C-1843/Z75-L SHEET NO/OF 1 1	
				DRAWING No. 0L0230			